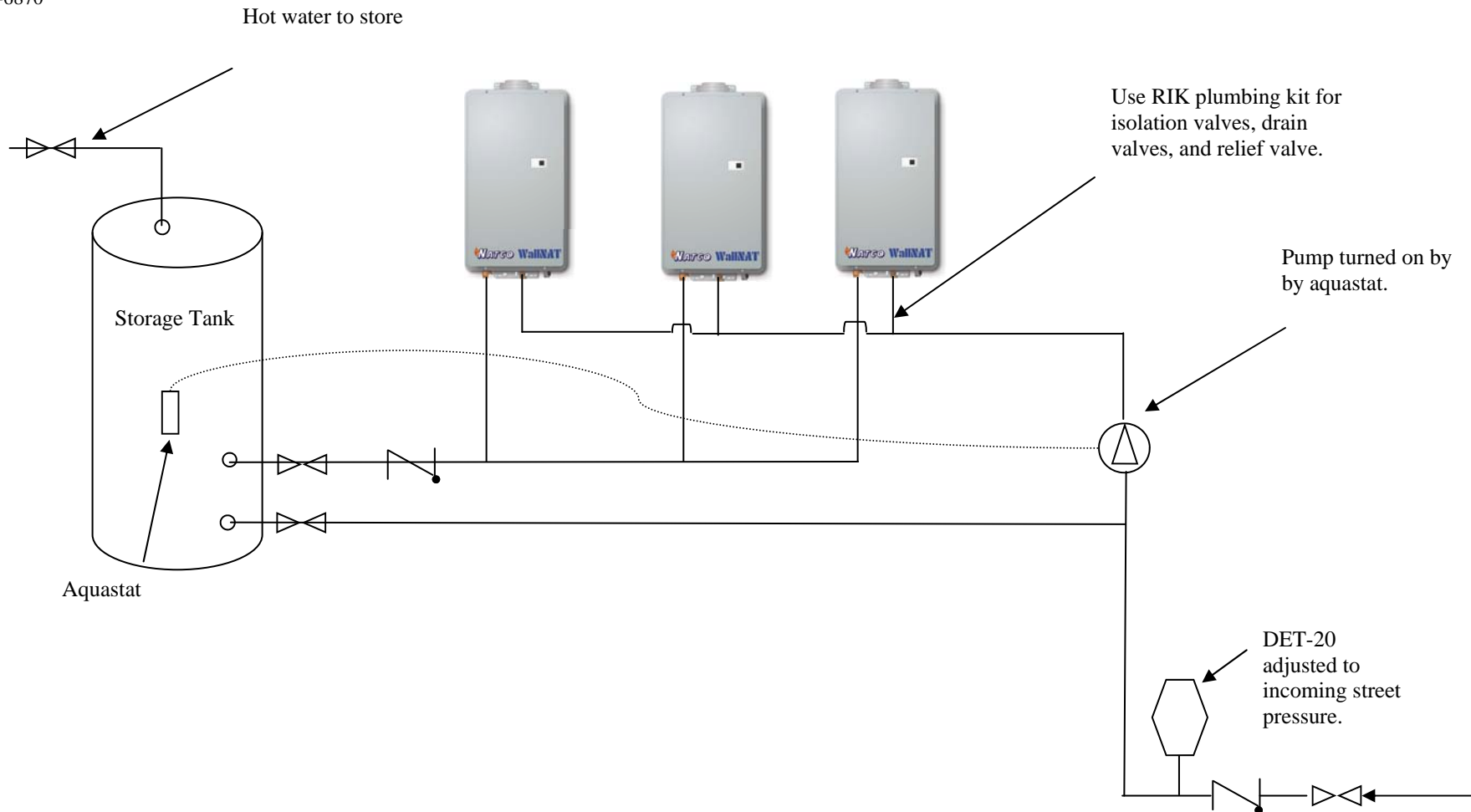




National Combustion Co., Inc.
 104-11 180th Street
 Jamaica, NY 11433
 Ph: 718-291-8400
 Fx: 718-291-6870



DRAWING: 2 WALLNAT, INDIRECT, STORAGE TANK

3 Wall-Nat Heaters w/Storage Tank

Notes:

1. This drawing shows suggested piping configuration. Check local codes and ordinances for additional requirements.
2. Piping on supply and return directly on Wall-NATS should be 3/4". Piping on remainder of system between storage tank, Wall-Nats, and cold water should be 1-1/2".
3. Each Wall-Nat should see an equal total length of pipe on the supply and the return side. Do not reduce pipe except for branches to each Wall-Nat
4. Back flow preventer may be required. Check local codes.
5. **Note: Additional plumbing required near Wall-Nat heaters. See detail in manual OR use RIK-C Kits.**

Legend



Ball Valve



Circulating Pump



Check Valve