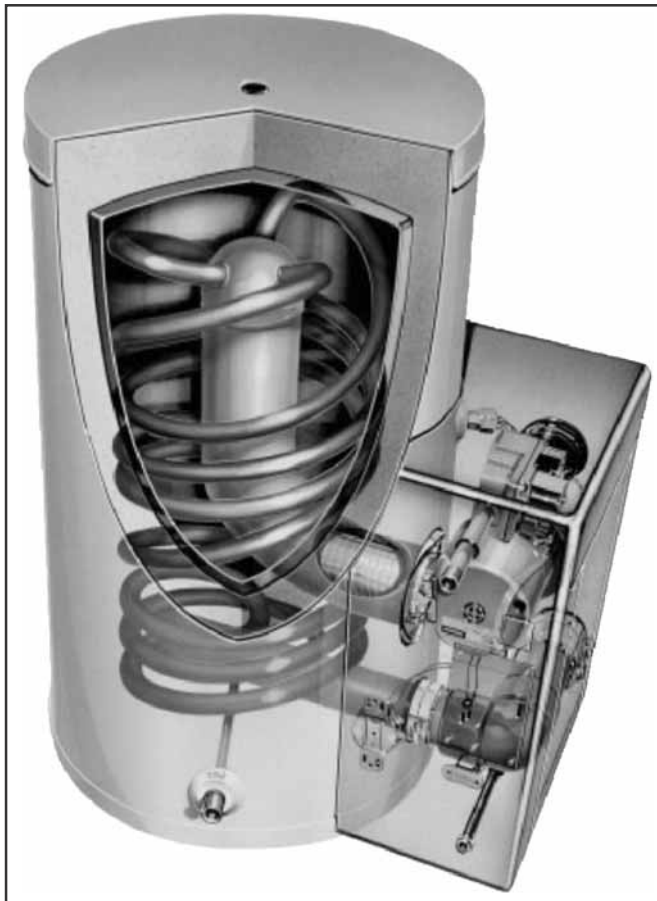




SUPER-EFFICIENCY

OPERATING, INSTALLATION, AND SERVICE MANUAL FOR THE VOYAGER GAS FIRED WATER HEATER

SUPER HIGH EFFICIENCY GAS FIRED WATER HEATING COMBINATION APPLIANCE



ANSI Z 21.10.3

NATIONAL COMBUSTION CO. INC.
104-11 180TH STREET
JAMAICA, NY 11433
TEL.: 1-718-291-8400 and 1-888-OK-NATCO
FAX: 1-718-291-6870 (sales, cust. svc.)

.....or visit our website at: www.nationalcombustion.com

⚠ WARNING

IF THE INFORMATION IN THESE INSTRUCTIONS ARE NOT FOLLOWED EXACTLY, A FIRE OR EXPLOSION MAY RESULT, CAUSING PROPERTY DAMAGE, PERSONAL INJURY, OR DEATH.

- Do not store or use gasoline or other flammable vapors and liquids in the vicinity of this or any other appliance;

WHAT TO DO IF YOU SMELL GAS:

- Do not try to light any appliance;
- Do not touch any electrical switch; do not use any phone in your building;
- Immediately call your gas supplier from a neighbor's phone;
- Follow the gas supplier's instructions;
- If you cannot reach your gas supplier; call the fire department;
- Installation and service must be performed by a qualified installer, service agency or the gas supplier.

⚠ DANGER

⚠ DANGER



Water temperature over 125 degrees F. can cause severe burns instantly, or death from scalds. Children, disabled, and elderly are at highest risk of being scalded. See instruction manual before setting temperature at water heater. Feel water before bathing or showering! Temperature limiting valves are available.

⚠ DANGER



LOCATION

Choose a location for your water heater centralized to the piping system, along with consideration to vent pipe length. As the length of vent pipe increases the firing rate of the appliance decreases. You must also locate the Voyager where it will not be exposed to freezing temperatures. Additionally, you will need to place the water heater so that the controls, drain, inlet/outlet, and gas valve are easily accessed. This appliance must not be installed outdoors, as it is certified as an indoor appliance, and must be kept vertical and on a level surface. Also, care must be exercised when choosing the location of this appliance; where leakage from the relief valve, leakage from related piping, or leakage from the tank or connections, will not result in damage to the surrounding areas or to the lower floors of the building. **A water heater should always be located in a area with a floor drain or installed in a drain pan suitable for water heaters.** Proper clearance must be provided around the Voyager as follows: Sides, bottom, top, and back are 0" (zero clearance). Front of the appliance needs 24" service clearance minimum. This front service may be achieved by a non-rated or combustible door or access panel; providing the 24" service clearance is achieved when the door is opened or panel is removed. **Under no circumstances, shall National Combustion Co. Inc. be held liable for any such water damage whatsoever. This water heater must not be located near flammable liquids such as gasoline, adhesives, solvents, paint thinners, butane, liquefied propane, etc.; as the controls of this appliance could ignite those vapors, causing an explosion.**

TEMPERATURE AND PRESSURE RELIEF VALVE

A temperature and pressure relief valve is installed into the marked port (upper right), we recommend a WATTS 100XL-4 valve or equivalent for 100,000 BTU models or below input, 40XL5 valve or equivalent for 130,000 BTU models or above input, meeting the requirements for relief valves for hot water heaters as per ANSI Z21.22B-1984 by a nationally recognized lab that maintains a periodic inspection of production of such listed safety device. The pressure rating of the valve must not exceed the listed working pressure of this appliance, and must be rated to the proper BTU/hr capacity of the water heater. **Do not, under any circumstances, thread a cap or plug into the relief valve! Explosion, serious injury or death may result!** Relief valve piping must be directed to the floor or to an open drain, but not connected directly. There must be a 6" space between the outlet of relief valve piping and drain or floor. **Do not hook up to drain system directly without an air space.** The relief valve must be periodically checked for proper operation.

EXPANSION TANK

A potable hot water expansion tank may be required to offset the water expansion as the water is heated. In most city plumbing systems, the water meter has a no return or back flow device built into the system to prevent back flowing of water back into city mains. Some require back flow preventers on all incoming water supplies. Under these circumstances, you will need a hot water expansion tank listed for potable water use. The expansion tank should be located on the cold inlet piping close to the water heater.

⚠ CAUTION

The expansion tank must be suitable for hot potable water.

DOMESTIC WATER CONNECTION

CAUTION

NEVER USE DIELECTRIC UNIONS OR GALVANIZED STEEL FITTINGS ON ANY DOMESTIC WATER CONNECTIONS. USE ONLY COPPER OR BRASS FITTINGS. TEFLON THREAD SEALANT MUST BE USED ON ALL CONNECTIONS.

The domestic water connections must be installed in accordance to all local and national plumbing codes, or any applicable standard which prevails. The inlet and outlet ports of the Super-E are 1" on 45 gallon models. On the 80 and 119 gallon models, the inlet and outlet ports are 1 ½". On the cold inlet, (bottom left), install a 1" brass tee on 45 gallon models, or a 1 ½" tee on 80 and 119 gallon models. On the run of the 1" brass tee, install with pipe sealant compound, a 1" brass drain cock or equivalent. Into the branch of the 1" or a 1 ½" brass tee, install a copper male adapter to match your copper plumbing system. For convenience, you may install a sweat shut off valve and a union in the cold inlet piping to ease servicing in the future. If there is a back flow preventer, or any type of a no return valve in the system, then you must install an additional tee here for a suitable potable hot water expansion tank. In the hot outlet, (top left), install a suitable adapter to match the copper tubing of the plumbing system. A thermal trap or heat trap loop may be installed here, to provide additional energy savings and prevent the thermal siphoning of domestic hot water. Refer to [pages 22 to 26](#) for typical installations.

NEW LOW WATER CUT-OFF

NORMAL OPERATION

A low water cut-off switch has been added to the Super-E to stop the possibility of dry firing the water heater and damaging the internal heat exchanger. The low water cut-off switch will be activated when the water heater is completely filled and the LED light becomes illuminated on the ECO/Vent Switch located on the front of the water heater.

FAULT CONDITIONS

STEP 1: Check for low water condition in tank.

If the water heater is not completely filled, the low water switch will not activate the water heater. During a low water fault, the control board three digit LED display will show LOC and the ECO/Vent Switch LED light will begin to flash. It could take as long as 5 minutes before the water heater will physically lock out during the water heater operation.

Remedy: Low water condition in tank.

Turn off the electric supply, make sure that the cold water supply is turned on and the water heater is completely filled with water. Verify this by opening a hot water faucet, allowing the water to flow until all the air is removed and clear water is present. Turn the electric supply back on and manually reset the control.

STEP 2:

If the ECO/Vent Switch LED light is still flashing after step 1, check the low water cut-off switch for possible damage.

Remedy: Low water cut-off switch damage.

Make sure the low water cut-off is operating correctly by checking the voltage with an electric meter. You should see 24 volts AC across the red and black lead of the connector from the wire harness. If the electric meter reads 24 volts indicating there is power to the switch, the next step is to put a jumper across the two green leads of the connector. If the ECO/Vent Switch LED illuminates and the water temperature LED is on, then the low water cut-off switch needs to be replaced.

WARNING

DO NOT ALLOW THE WATER HEATER TO OPERATE WITH THE JUMPER IN PLACE. PERMANENT DAMAGE TO THE HEAT EXCHANGER COULD RESULT AND WARRANTY WILL BE VOID.

STEP 3:

If the ECO/Vent Switch LED light is still flashing check the low water cut-off wire harness for possible damage or disconnected.

Remedy: Low water cut-off wire harness damage or disconnected.

Make sure that all the wire connections are connected properly, reference the water heater control diagrams in the Installation Manual on page 18 and 19, make sure that the wire harness is not damaged. If the wire harness is damaged, replace the wiring harness (Part Number 7000-857).

After completing steps 1 through 3 and the ECO/Vent Switch LED light is still flashing it will be required to trouble shoot the ECO switch (see page 16 in the Installation Manual).

CAUTION

A domestic hot water tempering/anti-scald valve should be installed into hot water line to prevent the maximum outlet water temperature from exceeding 119 degrees F. as per the national standard plumbing code, to prevent scald injury.

ELECTRICAL CONNECTION

The electrical connection for the Super-E is on the left side of the combustion shroud. There is a 1/2" knockout location for electrical connection. All electrical wiring must be performed by a qualified licensed electrician, and in accordance with National Electrical Code, or to the applicable local codes and standards. The electrical requirements are for standard 120 volts, 60 Hz 10 amp service. It is recommended that an electrical disconnect switch be placed on a nearby wall, and that the connection to the Voyager be made using 3/8" extra-flex, or 3/8" greenfield (or equivalent). This unit must be wired with #14 awg, and fused for no more than 15 amps.

WARNING

It is of extreme importance that this unit be properly grounded! Ground the water heater, by connecting the green wire in the electrical access compartment, directly to the main building ground system. It is very important that the building system ground is inspected by a qualified electrician, prior to making this connection. The black wire is the hot lead and the white wire is the neutral lead. Once all connections have been made the electrical access may be closed. It is very important that the electrical power is not turned on at this time! A green LED is provided on the main control board. This LED must be luminated when appliance is turned on for proper operation. Failure to lumnate means bad or missing ground or reverse polarity.

GAS CONNECTION

Gas supply shall have a maximum inlet pressure of less than 14" water column (350 mm), 1/2 pound pressure (3.4 kPa), and a minimum of 7" water column. The entire piping system, gas meter, and regulator must be sized properly to prevent pressure drop greater than 0.5" as stated in the National Fuel Gas Code. This information is listed on the rating plate.

WARNING

It is very important that you are connected to the type of gas as noted on the rating plate. You must ensure that the entire gas line to the connection at the Super-E is no smaller than 3/4". In the event the gas valve is exposed to a pressure greater than 1/2 PSI, 14" water column, the gas valve must be replaced. Failure to follow all precautions below could result in fire, explosion or death.

"LP" or liquefied petroleum, or propane gas; or "Nat" natural gas or city gas. All gas connections must be approved by the local gas supplier, or utility in addition to the governing authority, prior to turning the gas supply on. The nipple provided is 1/2", and it is mandatory that a 3/4" to 1/2" reducing bushing (provided) is used, threaded into the branch of a 3/4" tee and a drip leg fabricated, as per the national Fuel Gas Code. Once all the inspections have been performed, the piping must be leak tested. If the leak test requirement is a higher test pressure than the maximum inlet pressure, you must isolate the Voyager from the gas line. In order to do this, you must disconnect the union and cap the inlet gas line.

DANGER

**Never use an open flame (lit match, lighter) to check gas connections.
This could result in serious injury or death.**

It is recommended that a soapy solution be used to detect leaks. Bubbles will appear on pipe to indicate a leak is present. The gas piping must be sized for the proper flow and length of pipe, to avoid pressure drop. Both the gas meter and the gas regulator must be properly sized for the total gas load. If you experience a pressure drop greater than 1" WC, the meter or regulator or gas line is under-sized or in need of service. On the inlet side of the gas valve, there is a 1/8" NPT plug, which can be removed to attach a hose barb, hose, and inches of water column meter. Also, you can attach a meter to the incoming gas drip leg, by removing the cap and installing the meter. The gas pressure must remain between 7" and 14" during stand-by and unit running heat cycle. If an in-line regulator is used, it must be a minimum of 10 feet from the Voyager. **It is very important that the gas line is properly purged by the gas supplier or utility. Failure to properly purge the lines or improper line sizing, will result in the failure of the Voyager lighting off.** This problem is especially noticeable in NEW LP installations, and also in empty tank situations. This can also occur when a utility company shuts off service to an area to provide maintenance to their lines.

WARNING

The gas valve is a special gas valve which has a Pressure Augmented Regulator feature, as well as negative outlet pressure. This valve must not be replaced with a conventional valve under any circumstances. Make sure valve is in the "OFF" position prior to turning gas supply on.

As an additional safety feature, this valve has a left hand thread on the outlet end, and a special tamper resistant electrical connector.

VENTING

FOR ALL MODELS 3" VENT PIPE MATERIALS REQUIRED

For inlet air supply, top pipe on the right of the shroud, use 3" PVC schedule 40. It is very important that you plan the location properly, to eliminate long pipe runs and excessive fittings. Inlet pipe size must not be reduced. Do not combine the inlet air with any other inlet pipe including an inlet to an additional similar appliance. The joints must be properly cleaned, primed, and cemented. The piping must also be properly supported as per local and national standard plumbing codes. It is important that the piping must be clean and free from burrs, debris, ragged ends, and particles of PVC.

For exhaust piping, lower pipe on the right of the shroud, for the first 7', use 3" ABS sch 40 or 3" CPVC sch 40 or 80. For concrete construction or to meet certain fire codes, exhaust piping - lower pipe on right of shroud, and inlet air piping - top pipe on the right of the shroud, must be 3" CPVC schedule 40 or 80, (only to meet local fire codes). The balance of the inlet and exhaust piping may be PVC schedule 40 or 80, or ABS solid only, **NOT FOAM CORE**. For residential style wooden construction exhaust piping, lower pipe on right of shroud, must be 3" ABS solid (NON FOAM CORE) or 3" CPVC schedule 40 or 80 for the first 7' only. The balance of the inlet and exhaust piping may be PVC or ABS solid NON FOAM CORE or CPVC to meet local codes.

The only approved exhaust vent materials are ABS solid NON FOAM CORE; first 84" or CPVC. The balance of the exhaust piping must be ABS solid NON FOAM CORE, CPVC or PVC sch 40 **NON FOAM CORE ONLY**. Exhaust piping should be sloped back to the connection on the Voyager, at least 1/4" per foot to remove additional condensate that forms within the pipe. The total combined length of pipe (intake piping plus exhaust piping added together) including elbow allowances intake and exhaust (each elbow = 5' of pipe) should not exceed 85'. The combined vent length should not be less than a combined length of 6' plus two 90 degree elbows. Choose your vent termination locations carefully; see [pages 22 and 23](#). You must additionally make certain that exhaust gas does not re-circulate back into the intake pipe. You must place them in an open area, and follow the following guidelines.

NOTE: Per requirement of the ANSI Z21.10.3. 2004 1 CSA 4.3 -2004 a thorough review and compliance to Fig. 3-A pg. 21 in this manual is required.

WARNING

- 1) **Never vent into a walkway or patio area, or an alley, or otherwise public area less than 7' from the ground;**
 - 2) **Never vent over or under a window or over a doorway;**
 - 3) **Never install a heat saver or similar product to capture waste heat from exhaust;**
 - 4) **Always have vent location at least 1' above maximum snow level;**
 - 5) **Always have vent 1' above ground level, away from shrubs and bushes;**
 - 6) **Follow local gas codes in your region or refer to National Fuel Gas Code, or Can B149;**
 - 7) **Always have vent at least 3' from an inside corner of outside walls;**
 - 8) **Maintain clearance to electric, gas meters, and exhaust fans or inlets; (See Fig. 3A pg. 21 for clearances)**
 - 9) **Very Important! Inlet air must be taken from outside of building, next to exhaust outlet, no closer than 8";**
 - 10) **Always place screens in all openings in intake and exhaust to prevent foreign matter from entering the Voyager.**
- 11) The vent intake and exhaust must be properly cleaned and glued, for pressure tight joints. Several methods for venting the Voyager can be found on [pages 22 and 23](#). Use the following layout as a guideline; certain site conditions such as multiple roof lines/pitches may require venting modifications-consult factory. The air inlet must be a minimum of 1' vertically above the maximum snow level or 24" which ever is greater. The air inlet must also be a minimum of 10' horizontally from the roof, and terminated with a tee. The exhaust must be a minimum of 24" above the air inlet opening, and terminated with a coupling. It is very important that there are no other vents, chimneys or air inlets in any direction for at least 4'. **All venting must be properly supported, as the SUPER-E is not intended to support any venting whatsoever.** All piping, glue, solvents, cleaners, fittings, and components, must conform to ASTM (American Society for Testing and Materials), and ANSI (American National Standard Institute).

- 12) It is recommended that you use one of the mentioned vent kits specifically for Voyager installations; either KGAVT0501CVT (2 in.), KGAVT0601CVT (3 in.), or V1000.

CLEANER / CEMENT

Cement for all venting must be ALL PURPOSE Cement, and must conform to ASTM D-2235, D-2564 and F-493, and cleaner for the piping and fittings must conform to ASTM F-656. For joining ABS to PVC, you must use transition green cement listed by NSF and IAPMO and exceeds ASTM D-3138 to make solid liquid tight joints and gas tight joints.

APPROVED VENTING MATERIALS

Exhaust Vent and Extensions in Plastic 2", 3" and 4" Pipe Schedule 40 or 80.

1. Non Foam Core PVC Pipe
2. Non Foam Core CPVC Pipe
3. Non Foam Core ABS Pipe

Vent Piping must conform to following

1. **PVC** Non Foam Core Pipe (Polyvinyl Chloride) to ASTM D-1785 or D-1784 Class 12454-B, Formerly designated Type 1, Grade 1.
2. **CPVC** (Chlorinated Polyvinyl Chloride) Class 23447-B, Formerly designated Type IV, Grade 1 conforming to ASTM D-1784.
3. **ABS** (Acrylonitrile-Butadiene-Styrene) Class 3-2-2-2 conforming to ASTM D3965.

PIPE/ FITTINGS

The first 84" (7') of exhaust piping, must be of 3" ABS solid only (provided) or CPVC; (**NEVER cellular foam core pipe on exhaust piping**), and conform to ASTM D-3965 for ABS or ASTM F-441 for CPVC, and fittings to ASTM D2661 & D3311 for ABS and ASTM F-439 for CPVC, the balance of exhaust piping, and all of intake piping, use standard 3" PVC sch. 40 or 3" ABS schedule 40, conforming to ASTM D2665, or ABS conforming to ASTM D-3965 & ASTM R-441 for ABS; and fittings conforming to ASTM D-2665 & D3311. ABS may also be used for intake venting as long as pipe conforms to ASTM D3965 & D2661 and fittings meet ASTM D2661 & D3311. Foam core pipe may be used for the entire intake system providing it conforms to ASTM F-891, and is cemented together using above materials.

FOR LONGER VENT LENGTHS

All venting must be 3", both intake and exhaust, **NEVER use any piping less than 3", or different size pipe on the intake and exhaust.** You may use 4" venting on both intake and exhaust, to lower the pressure drop, to provide additional venting length. **It is imperative when using 4", to follow these instructions very carefully. For longer venting lengths, the first 10' of both the intake and exhaust piping are 3". For the intake 10' of 3" PVC plus one 90 degree or two 45 degree elbows and for the exhaust 10' of ABS solid NON FOAM CORE, or CPVC plus one 90 degree or two 45 degree elbows.** Then use a 4" x 3" PVC or 4" x 3" ABS reducing coupling. Then proceed with PVC 4" NON FOAM CORE pipe and fittings for both the intake and exhaust piping. On 4" piping you may go an additional 125 equivalent feet of pipe and fittings, combined total length. The 4" fittings have a friction loss allowance as follows: 4" 90 degree = 3', and a 4" 45 degree = 1'. **The total maximum venting length can be 125', plus the first 10' of each 3", and a maximum fitting allowance of the 3", total two 90 degree or four 45 degree before increasing to 4". Total equivalent would be 30' of 3" plus 125' of 4".**

WARNING

Never use different pipe sizes for intake and exhaust. The vent system must be balanced by friction loss equivalent.

NOTE:

THE METHODS DESCRIBED ARE SUGGESTED GENERIC METHODS ONLY. SPECIFIC JOB SITE OBSERVATIONS AND SIZING MAY REQUIRE ALTERNATE INSTALLATION METHODS. CONSULT THE FACTORY WITH SPECIFIC JOB REQUIREMENTS FOR ADDITIONAL RECOMMENDATIONS.

WARNING

IT IS EXTREMELY IMPORTANT TO FOLLOW THESE INSTRUCTIONS EXACTLY. FAILURE TO FOLLOW INSTRUCTIONS EXACTLY COULD RESULT IN FIRE, INJURY OR DEATH.

**SPECIAL VENTING INSTRUCTIONS FOR 2" VENTED SSV100R, & SSV130R MODELS ONLY.
FOR 3" VENTED MODELS, SEE PAGE 5.**

VENTING

SSV100R AND SSV130R ONLY

Inlet air supply, top pipe on the right of the shroud. Use 2" PVC, schedule 40, or 2" ABS for all inlet air piping. It is very important that you plan the location properly, to eliminate long pipe runs, and excessive fittings. Inlet pipe size must not be reduced. Do not combine the inlet air with any other inlet pipe including an inlet to an additional similar appliance. The joints must be properly cleaned, primed, and cemented. The piping must also be properly supported as per local and national standard plumbing codes. It is important that the piping must be clean and free from burs, debris, ragged ends, and particles of PVC, or ABS. Exhaust piping, lower pipe on right of shroud, must be of 2" PVC schedule 40 NON FOAM CORE or 2" ABS NON FOAM CORE, 2" CPVC may also be used. 3" PVC, 3" ABS solid NON FOAM CORE, or 3" CPVC can also be used. Exhaust piping should be sloped back to the connection on the Voyager, at least 1/4" per foot to remove additional condensate that forms within the pipe. The total combined length of pipe including elbow allowances (each elbow = 5' of pipe) should not exceed 85', both the intake pipe added to the exhaust pipe. The combined vent length should not be less than a combined length of 6', plus two 90 degree elbows. Choose your vent termination locations carefully; see [pages 22 and 23](#). You must place them in a open area, and use the guidelines found on [page 20](#).

VERY IMPORTANT

SSV100R & SSV130R MODELS ONLY!

All venting must be 2", both intake and exhaust.

You may use 3" or 4" venting on both intake and exhaust, to lower the pressure drop, to provide additional venting length. It is imperative when using 3" to follow these instructions very carefully. For longer venting lengths, the first 10' of both the intake and exhaust piping are 2". For the intake 10' of 2" PVC or ABS or CPVC, plus one 90 degree or two 45 degree elbows and for the exhaust 10' of 2" PVC NON FOAM CORE or ABS solid NON FOAM CORE or CPVC, plus one 90 degree or two 45 degree elbows. Then use a 2" x 3" PVC or ABS reducing coupling. Then proceed with ABS solid NON FOAM CORE, CPVC, or PVC 3" NON FOAM CORE pipe and fittings for both the intake and exhaust piping. On 3" piping you may go an additional 125 equivalent feet of pipe and fittings, combined total length. Total equivalent would be 30' of 2" plus 125' of 3". The vent system must be balanced by friction loss equivalent.

CONDENSATE

This is a condensing high efficiency appliance, therefore this unit has a condensate removal system. Condensate is nothing more than water vapor, derived from the combustion products, similar to an automobile when it is initially started. This condensate does have a low PH and should be treated with a condensate filter. This filter contains either lime crystals or marble crystals, which will neutralize the condensate. The outlet of the filter is sized for 5/8" ID (Inside diameter) plastic tubing. It is very important that the condensate line is sloped away from and down to a suitable inside drain, if the condensate outlet on the Super-E is lower than the drain, you must use a condensate removal pump. A condensate filter and a condensate pump kit are available from NATCO. It is also very important that the condensate line is not exposed to freezing temperatures, or any other type of blockage. Plastic tubing should be the only material used for the condensate line; as steel, brass, copper, or others will be subject to corrosion and deterioration. A second vent may be necessary to prevent condensate line vacuum lock if a long horizontal run is used. Also an increase to 1" tubing may be necessary, (See the diagram on [page 25](#)).

SSVH MODEL PERFORMANCE AND SET-UP INFORMATION

The SSVH models are available in the 90,000 BTU/hr, 130,000, and 199,000 BTU/hr. firing rates. The illustration on [back page](#) shows the location of the heat exchanger and other ports. For maximum output, the bronze circulator provided must be attached between the hot outlet and cold inlet as shown on [page 22](#). For complete SSVH information and sizing, refer to the back of this manual.

CONTROL DESCRIPTION

The fully integrated water heater control is an all electronic with a fully automatic controller that will provide many years of trouble free service. The control requires no periodic maintenance and includes a built-in microprocessor which performs a number of diagnostic tests to verify proper appliance and control operation. Should an unsafe condition occur, the burner will shut down and the appropriate status indicators will illuminate indicating the need for service. Consisting of two printed circuit board assemblies, the controller's main board is attached to inside left of the shroud while the display board is mounted to the front top of the shroud. This arrangement simplifies access to the user adjustments while enhancing the visibility of the temperature display and status indicators. A power step-down transformer and blower pressure switch are also mounted on the inside left of the shroud. The controller display functions include a high visibility three digit LED readout which is used to display the actual water temperature within the tank along with the programmed desired water temperature (set point temperature). Nine individual LED indicators are also mounted on the display board which are

used to determine the operating status of the appliance and provide assistance when troubleshooting any problems which may occur. All indicators are of the solid state variety and should last for the life of the appliance. The controller has sufficient built-in memory to retain the programmed temperature set point in the event input power is ever interrupted. The final component of the control system includes a temperature sensing probe which is threaded into the side of the tank. This probe is of unique construction in that both the temperature sensing/control and safety limit functions are performed by this single device. All probe components are of solid state construction to provide extended operational life.

START UP PROCEDURE

1. Make sure that the Super-E has been installed to these instruction procedures; along with all applicable province and local codes;
2. Make sure all gas piping and connections have been verified and inspected by all applicable inspectors. Turn on gas supply. Insure that the gas line and the LP tank, if applicable, have been properly purged. Failure to properly purge the gas lines will result in failure to operate;
3. Make sure that the cold water supply has been turned on and that the Super-E is completely filled with water. Verify this by opening a hot water faucet, and allowing water to flow until all air is removed and a clear water flow is present;
4. Turn on electrical supply;
5. The control will first display "102", then "88.8", which is the control display test; and finally the actual tank temperature at the probe.

SET POINT ADJUSTMENT PROCEDURE

The three digit LED display will illustrate actual water temperature within the tank under normal operating conditions. However, this display is also used to indicate the temperature set point when in the programming mode; and also ignitor amp draw and flame current.

The controller has a temperature set point range 70 degrees F. to 160 degrees F. The factory set point is 118 degrees F.

DANGER



Water temperature over 125 degrees F. can cause severe burns instantly, or death from scalds. Children, disabled, and elderly are at highest risk of being scalded. See instruction manual before setting temperature at water heater. Feel water before bathing or showering! Temperature limiting valves are available.



VERY IMPORTANT NOTE:

POWER MUST BE APPLIED TO THE CONTROLLER PRIOR TO ANY PROGRAMMING OPERATIONS.

SET POINT ADJUSTMENT PROCEDURE (CONTINUED)

To change or access the programmed temperature set point value, utilize the red button on the display panel. Momentarily depressing the button will briefly illustrate the existing set point value. If the button is held down for more than one second, the programming mode is entered and the set point value will begin incrementing by one degree per second. When the desired set point value is reached, simply release the button and the controller will automatically retain this value in temporary memory. After 30 seconds, this new set point will be retained in permanent memory.

NOTE:

IF POWER IS INTERRUPTED DURING THIS 30 SECOND PERIOD, THE NEW SET POINT WILL NOT BE RETAINED IN PERMANENT MEMORY. IT IS A GOOD PRACTICE TO RE-CHECK THE SET POINT VALUE APPROXIMATELY 60 SECONDS AFTER A NEW VALUE HAS BEEN RE-ENTERED.

If the button is held down long enough, the set point will reach 160 degrees F. and stop, since this is its maximum value. At this point, if the desired set point has not been obtained, release the button and depress it again, the set point will decrement down to 70 degrees F. and stop. The set point value will now restart at 70 degrees F. (its minimum) and once again increase in value for as long as the button is pressed.

DIFFERENTIAL ADJUSTMENT PROCEDURE

To allow proper water heater operation, the control has a 8 degree F. "window" around the set point. This means that the burner will be turned on when the water temperature drops to 4 degrees F. below the set point, and it will be turned off when the water temperature reaches 4 degrees F. above the set point. Thus, if the set point is set to 120 degrees F., the control will turn on the burner when the water temperature drops to 116 degrees F., and will continue to heat the water until the temperature reaches 124 degrees F. The differential is factory set to 8 degrees F. (+ or- 4 degrees F.) If another differential is required, the value of the differential can be field adjusted by holding the set point button when power is applied to the control. Shut off power to the control. Next hold in the set point button. Now reapply power to the control. Using the set point button, the value of the differential can be incremented or decremented as above. When the proper value is reached, release the button and the new differential has been stored into permanent memory.

OVERALL APPLIANCE AND CONTROL OPERATION

A normal operating sequence is as follows:

1. The control determines that the actual water temperature inside tank is 4 degrees F., with the factory set 8 degree F. differential, below programmed temperature set point;
2. The control performs selected system diagnostic checks;
3. If all checks are successfully passed, the combustion blower is energized for the 40 second pre-purge cycle;
4. During the pre-purge cycle is complete, power is applied to the ignitor element for the ignitor warm-up period (blower should continue to run);
5. The ignitor warm-up period will last for 30 seconds, then gas valve will be opened, allowing gas to enter the burner chamber;
6. The ignitor will remain on for an additional 4 seconds, then it will be turned off;
7. After an additional 2 seconds, the control will verify the presence of flame. If the flame was not established, the gas valve will be closed, power will be removed from the ignitor element, and the control will run the blower for 30 seconds. At this point, the control will return to step 2;
8. If flame is present, the control will enter the heating mode where it will continue heating the tank water until the set point temperature plus 4 degrees F. is reached. At this point, the gas valve is closed and the control enters the post-purge cycle. The flame can be viewed through a window on the lower right of combustion blower flange;
9. The post-purge cycle continues to run the combustion blower for an additional 30 seconds to purge the system of all combustion gases. After this time period, the blower is de-energized and will coast to a stop;
10. The control will now enter the idle state while continuing to monitor internal tank water temperature. If the temperature drops to 4 degrees F. below the set point value, the control will automatically return to step 1.

STATUS INDICATORS

Pages 15, 16, and 17 contain seven individual diagrams which illustrate the various operating states of the appliance and their relation to the LED status indicators found on the controller. These diagrams reflect normal water heater operation.

MAINTENANCE

The control system requires no periodic maintenance under normal conditions. However, in unusually dirty or dusty conditions, periodic vacuuming of the cover to maintain visibility of the display and indicators is recommended. In dirty environments, construction sites, building constructions, care must be taken to keep the appliance door in place and drywall or saw dust away from appliance.

CAUTION

In unusually dirty or dusty conditions, care must be taken to keep appliance door in place. Failure to do so VOIDS WARRANTY!

INTERNAL WIRING

For specific wiring information, please refer to the diagrams on **pages 18 and 19**.

SHUTDOWN PROCEDURE

If the burner is operating, lower the set point value to 70 degrees F. and wait for the burner to shut off. Continue to wait for the combustion blower to stop so all latent combustion gases are purged from the system. This should take a maximum of 40 to 90 seconds. Disconnect the electrical supply. If the burner is not operating, disconnect the electrical supply.

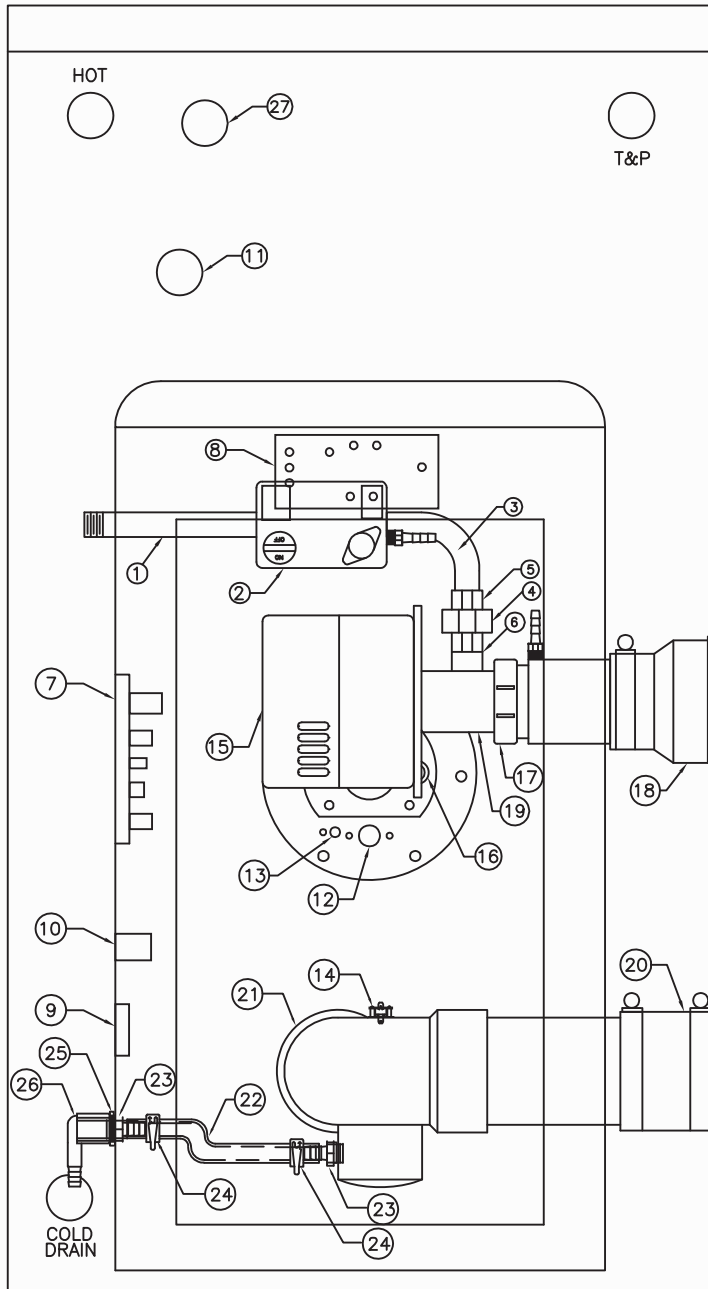
VACATION PROCEDURE

If there is danger of freezing, change the set point to 70 degrees F. DO NOT turn off electrical power. If there is no danger of freezing, follow the "Shutdown Procedure".

FAILURE TO OPERATE

Should the burner fail to light, the control will perform two more ignition trials prior to entering a lockout state ("LOC"). Note that each subsequent ignition trial will not occur immediately. After a failed ignition trial, the blower must run for approximately 10 seconds to purge the system, then the ignitor element must complete a 30 second warm-up period. Therefore, a time period of approximately 40 to 90 seconds will expire between each ignition trial. If the burner lights during any one of these three ignition trails, normal operation will resume. If the burner lights, but goes off in about 4 seconds, check the polarity of the wiring. See electrical connection section on page 4. If the burner does not light after the third ignition trial, the control will enter a lockout state. This lockout state indicates that a problem exists with either the appliance, the controls, or the gas supply. Under such circumstances, a qualified service technician should be contacted immediately to properly service the appliance and correct the problem. If a technician is not available, depressing the red button once will remove the lockout state so additional trials for ignition can be performed. **Any time "LOC" is shown, you must look for an LED out, or flashing. The LED that is out or flashing will assist you in diagnosing lock out condition.**

COMPONENTS DIAGRAM



1. 1/2" NPT X 6" GAS INLET NIPPLE
2. GAS VALVE (HTPPAM203)
3. GAS VALVE ELBOW (P1002)
4. GAS ORIFICE UNION (9500-0028)
5. GAS ORIFICE (5500-0009)
5. GAS CONVERSION KITS
 - 90,000 PROPANE TO NATURAL-(N9AG)
 - 90,000 NATURAL TO PROPANE-(P9AG)
 - 100,000 PROPANE TO NATURAL-(N10AG)
 - 100,000 NATURAL TO PROPANE-(P10AG)
 - 130,000 PROPANE TO NATURAL-(N13AG)
 - 130,000 NATURAL TO PROPANE-(P13AG)
 - 160,000 PROPANE TO NATURAL-(N16AG)
 - 160,000 NATURAL TO PROPANE-(P16AG)
 - 199,000 PROPANE TO NATURAL-(N19AG)
 - 199,000 NATURAL TO PROPANE-(P19AG)
6. UNION CONNECTOR NIPPLE
7. MAIN CONTROL PC BOARD (WHC1001-CNT-2 OR CNT-3)
(MUST SPECIFY MODEL & SERIAL NUMBER WHEN ORDERING)
8. DISPLAY PC BOARD (WHC1001-DSP)
9. PRESSURE SWITCH (WHC1001-PSW)
10. TRANSFORMER (WHC1001-XMR)
11. ECO/TEMPERATURE PROBE (WHC1001-ECO-1)
12. 110V SURFACE IGNITOR (0206FF003)
13. FLAME RECTIFICATION PROBE (PSE-TF1)
14. OVER TEMPERATURE SWITCH (VS210)
15. COMBUSTION BLOWER (HTPBDC120)
(SPECIFY BTU OF YOUR UNIT WHEN ORDERING)
16. GLASS SIGHT WINDOW (G2000)
GASKET SIGHT WINDOW (G5060)
17. AIR INLET ADAPTER
18. AIR INLET CONNECTOR
19. AIR INLET MANIFOLD
20. EXHAUST OUTLET CONNECTOR
21. EXHAUST ELBOW AND DRAIN (7000-604)
22. CONDENSATE CONNECTOR HOSE
23. 1/2" BARB X 1/2" M ADAPTER (9500-0027)
24. 15/16" HOSE CLAMP (7000-828)
25. CONDUIT 1/2" LOCKNUT (6000-0006)
26. COMBINATION 90 DEG. ELBOW (2500-0019)
27. LOW WATER CUT-OFF (7000-852)
(on 80 and 119 Gallon Only)

REPLACEMENT PARTS NOT SHOWN

LOW VOLTAGE CABLE ASSEMBLY	(710B0041)
INTERCONNECT RIBBON CABLE	(7000-665)
LINE CABLE	(710B0048)
PUSH BUTTON	(7000-667)
TRANSFORMER	(7000-666)
GASKET BURNER MOUNTING FLANGE	(G5010)
GASKET BLOWER OUTLET FLANGE	(G5020)
GASKET AIR INLET	(G5030)
GASKET BURNER MOUNTING FLANGE WHITE	(7000-815)

ORIFICES

All of the Voyager gas fired water heaters have unique air and gas orifice sizes. Special attention should be paid to these sizes whenever converting a heater from one fuel type to another, or when the orifice is changed for any reason. Below is a list of orifice sizes for conversions to other fuel types and the sizes the voyager was shipped with from the factory. Please note that air orifices do not have to be changed when switching from one fuel type to another. This information is not intended to allow field conversions by drilling orifices. This is only a guide to correct orifice sizing.

WARNING

If orifices are drilled, the result will be poor ignition, explosion, severe bodily injury or death.

All orifices must be obtained through the factory with all necessary labels and the serial number must be provided to the factory **OR WARRANTY WILL BE VOIDED.**

SUPER-E GAS CONVERSION INSTRUCTIONS

FOR CONVERSION OF THE VOYAGER TO PROPANE OR NATURAL GAS. YOU MUST ORDER A CONVERSION KIT FROM THE FACTORY. BELOW IS A LIST OF THE DIFFERENT MODEL NUMBERS YOU WILL NEED TO REFERENCE WHEN ORDERING YOUR KIT. PLEASE CALL THE FACTORY AT 1-800-323-9651, CUSTOMER SERVICE TO PLACE YOUR ORDER.

90,000 PROPANE TO NATURAL – (N9AG)
90,000 NATURAL TO PROPANE – (P9A6)
100,000 PROPANE TO NATURAL – (N10AG)
100,000 NATURAL TO PROPANE – (P10AG)
130,000 PROPANE TO NATURAL – (N13AG)
130,000 NATURAL TO PROPANE – (P13AG)
160,000 PROPANE TO NATURAL – (N16AG)
160,000 NATURAL TO PROPANE – (P16AG)
199,000 PROPANE TO NATURAL – (N19AG)

199,000 BTU SUPER-E'S- AIR ORIFICE = 1.375"	GAS ORIFICE SIZES- NATURAL GAS = .379"	PROPANE/LP GAS = .295"
160,000 BTU SUPER-E'S- AIR ORIFICE = 1.375"	GAS ORIFICE SIZES- NATURAL GAS = .362"	PROPANE/LP GAS = .295"
130,000 BTU SUPER-E'S- AIR ORIFICE = 1.125"	GAS ORIFICE SIZES- NATURAL GAS = .280"	PROPANE/LP GAS = .235"
	NATURAL GAS CONVERSION FROM PROPANE/LP =	.285"
	PROPANE/LP GAS CONVERSION FROM NATURAL GAS =	.250"
100,000 BTU SUPER-E'S- AIR ORIFICE = 1.125"	GAS ORIFICE SIZES- NATURAL GAS = .280"	PROPANE/LP GAS = .235"
	NATURAL GAS CONVERSION FROM PROPANE/LP =	.285"
	PROPANE/LP GAS CONVERSION FROM NATURAL GAS =	.250"

90,000 BTU SUPER-E'S-
AIR ORIFICE = 1.000"

GAS ORIFICE SIZES-
NATURAL GAS = .261" PROPANE/LP GAS = .205"
NATURAL GAS CONVERSION FROM PROPANE/LP = .253"
PROPANE/LP GAS CONVERSION FROM NATURAL GAS = .215"

CAUTION:

THERE ARE NO USER SERVICEABLE PARTS WITHIN THE CONTROL SYSTEM. TO MAINTAIN SAFETY AND PROPER APPLIANCE PERFORMANCE, REFER ALL TROUBLE-SHOOTING TO QUALIFIED SERVICE PERSONNEL.

TROUBLE-SHOOTING

The appliance controller has many inherent diagnostic and fault detection routines built into its operating software and hardware. These routines, along with the three digit LED display and nine LED status indicators present on the display panel, can greatly assist the service person in quickly pinpointing the source of problems that may occur with the appliance. In certain circumstances, multiple LED's may be lit or flashing to better pinpoint the problem. Also, there is a green LED on the main control board to indicate proper polarity and grounding. The following charts, diagrams, and information can be used during troubleshooting procedures:

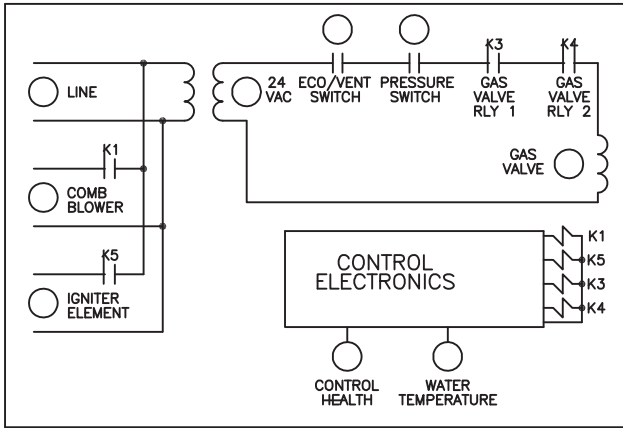
<u>LED</u>	<u>CONTROLLER FUNCTION</u>	<u>MEANING</u>
LINE	MONITORS INCOMING AC LINE VOLTAGE	"ON" WHEN LINE VOLTAGE IS PRESENT
BLOWER	MONITORS THE BLOWER MOTOR OUTPUT	"ON" WHEN OUTPUT IS ENERGIZED (POWER APPLIED TO BLOWER)
IGNITOR	MONITORS IGNITOR ELEMENT OUTPUT	"ON" WHEN OUTPUT IS ENERGIZED (POWER APPLIED TO IGNITOR)
24V	MONITORS INCOMING VOLTAGE FROM THE TRANSFORMER SECONDARY	"ON" WHEN SECONDARY VOLTAGE IS PRESENT
ECO	MONITORS STATE OF THE ECO SWITCH AND LOW WATER CUT-OFF	"ON" WHEN ECO SWITCH AND LOW WATER CUT-OFF IS IN CLOSED POSITION (NORMAL POSITION)
PRESSURE	MONITORS STATE OF THE AIR SWITCH	"ON" WHEN THE PRESSURE SWITCH IS CLOSED (SUFFICIENT COMBUSTION AIRFLOW EXISTS)
GAS VALVE	MONITORS THE GAS VALVE OUTPUT	"ON" WHEN OUTPUT IS ENERGIZED (POWER APPLIED TO GAS VALVE)
WATER TEMP.	MONITORS WATER TEMP. WITHIN TANK	"ON" WHEN TEMP. DROPS BELOW SET POINT
CONTROL HEALTH	MONITORS INTERNAL STATE OF THE CONTROLLER'S HARDWARE AND SOFTWARE	"ON" WHEN CONTROLLER FUNCTIONALITY IS O.K.
GREEN ON MAIN CONTROL BOARD	MONITORS POLARITY AND GROUND CIRCUIT	"ON" WHEN GROUND AND POLARITY ARE O.K.

VERY IMPORTANT SET-UP INSTRUCTIONS!

IF YOU HAVE A COMBUSTION ANALYZER, THE FOLLOWING RATINGS WILL BE **VERY HELPFUL** IN SETTING UP YOUR SUPER-E:

FOR NATURAL GAS - CO2 READING SHOULD BE BETWEEN 9 ½% & 10 ½%
O2 READING SHOULD BE BETWEEN 3 ½% & 4 ½%
CO READING SHOULD BE UNDER 10 PPM

FOR PROPANE GAS - CO2 READING SHOULD BE BETWEEN 10 ½% & 11 ½%
O2 READING SHOULD BE BETWEEN 3 ½% & 4 ½%
CO READING SHOULD BE UNDER 10 PPM



NO INCOMING LINE VOLTAGE OR 24 VOLT

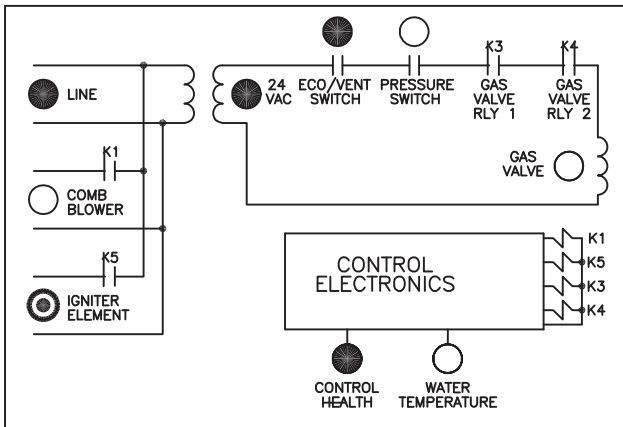
Line LED & 24 VAC LED Off

POSSIBLE CAUSE

REMEDY

- | | |
|--|---|
| 1. No input power. | 1. Apply power |
| 2. Wiring disconnected | 2. check all wiring |
| 3. One or more wiring receptacles disconnected from control. | 3. Reconnect plugs on control, confirm all are fully seated |
| 4. LED burned out | 4. Ignore or replace Display board |
| 5. Defective transformer | 5. Replace transformer |
| 6. transformer wiring problem | 6. Repair transformer wiring |

Note: The transformer is of Class II variety and has an internal non-replaceable fuse. If blown, a problem may exist with the control which is affecting the transformer. In such cases, it is recommended the control should be replaced as well.



IGNITOR LOCKOUT

Ignitor Element LED Flashing

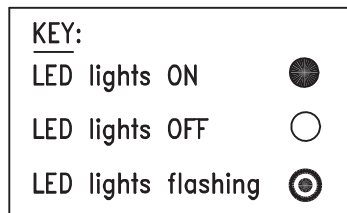
POSSIBLE CAUSE

REMEDY

- | | |
|--------------------------------------|--|
| 1. Broken ignitor element | 1. Replace ignitor element |
| 2. Ignitor unplugged | 2. Plug in ignitor |
| 3. Insufficient ignitor current draw | 3. Monitor ignitor current, see note below |

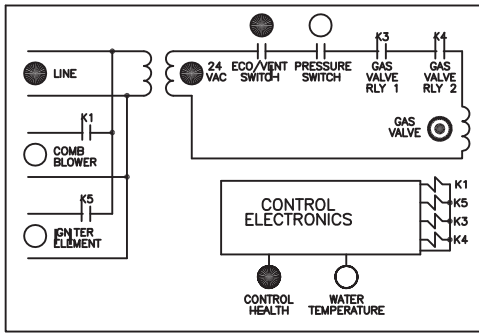
Note: The ignitor current is monitored by pressing the black button to the left of the LED's, during the ignitor warm-up period or when the Ignitor Element LED is illuminated. The 3-segment LED display will display the actual ignitor current draw. The expected ignitor current draw 2.5 to 4.5 amps.

NOTE: THE TRANSFORMER HAS AN INTERNAL NON-REPLACEABLE FUSE
THE CONTROL HAS A REPLACEABLE 3 AMP FUSE LINKED TO THE TRANSFORMER SHORT.



IGNITION LOCKOUT

with Gas Valve LED Flashing



NOTE

The flame current is monitored by pressing the black button to the left of the LED's, during the heat cycle or when the Gas Valve LED is illuminated. The 3-segment LED display will display the actual flame current. The expected flame current is 4.0 to 5.1 micro-amps.

This condition results from a failure to establish burner ignition after three successive trials. In such cases: First, investigate the possible cause and remedy any observations.

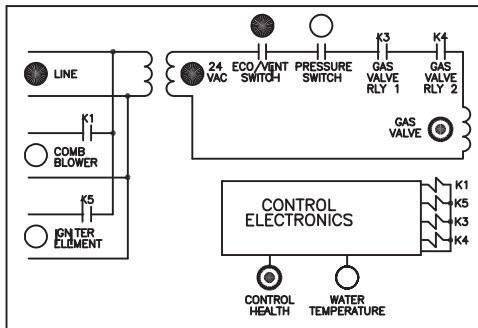
Second, momentarily press the button on the display panel to reset the lockout condition.

Third, confirm proper appliance operation.

- | POSSIBLE CAUSE | REMEDY |
|--|--|
| 1. Burner ground wire broken or corroded | 1. Check wire and connection at burner |
| 2. Connectors unplugged | 2. Check connectors |
| 3. Flame probe faulty | 3. Replace flame probe |
| 4. Gas shut off | 4. Turn on gas supply |
| 5. Clogged gas valve | 5. Replace gas valve |
| 6. Faulty gas valve | 6. Replace gas valve |
| 7. Defective control | 7. Replace control |
| 8. Burner improperly adjusted | 8. Adjust burner |
| 9. Dirty burner | 9. Clean burner |
| 10. Improper line connection | 10. Verify green LED on control board is illuminated when power is applied |
| 11. Insufficient flame current | 11. Monitor flame current, see note below |

IGNITION LOCKOUT

Gas Valve LED Flashing and Control Health LED Flashing



This condition results from a failure to establish burner ignition after three successive trials. In such cases: First, investigate the possible cause and remedy any observations.

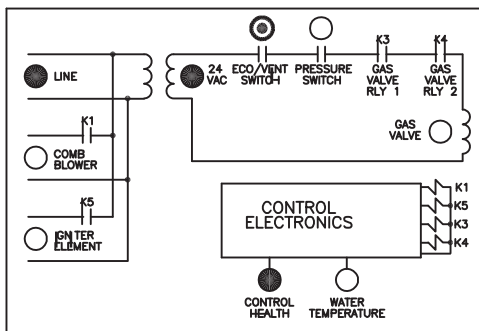
Second, momentarily press the button on the display panel to reset the lockout condition.

Third, confirm proper appliance operation.

- | POSSIBLE CAUSE | REMEDY |
|--|--|
| 1. Gas Valve wire connector has either the blue or yellow wire pushed out of the connector. This is observed at either the start up or if either wire comes loose during igniter heat up sequence. | 1. Look into the front end of the gas valve wire harness connector to determine which wire has been pushed back. Push that wire back into the connector. You may hear a click. Reconnect the connector to the gas valve and retry. |

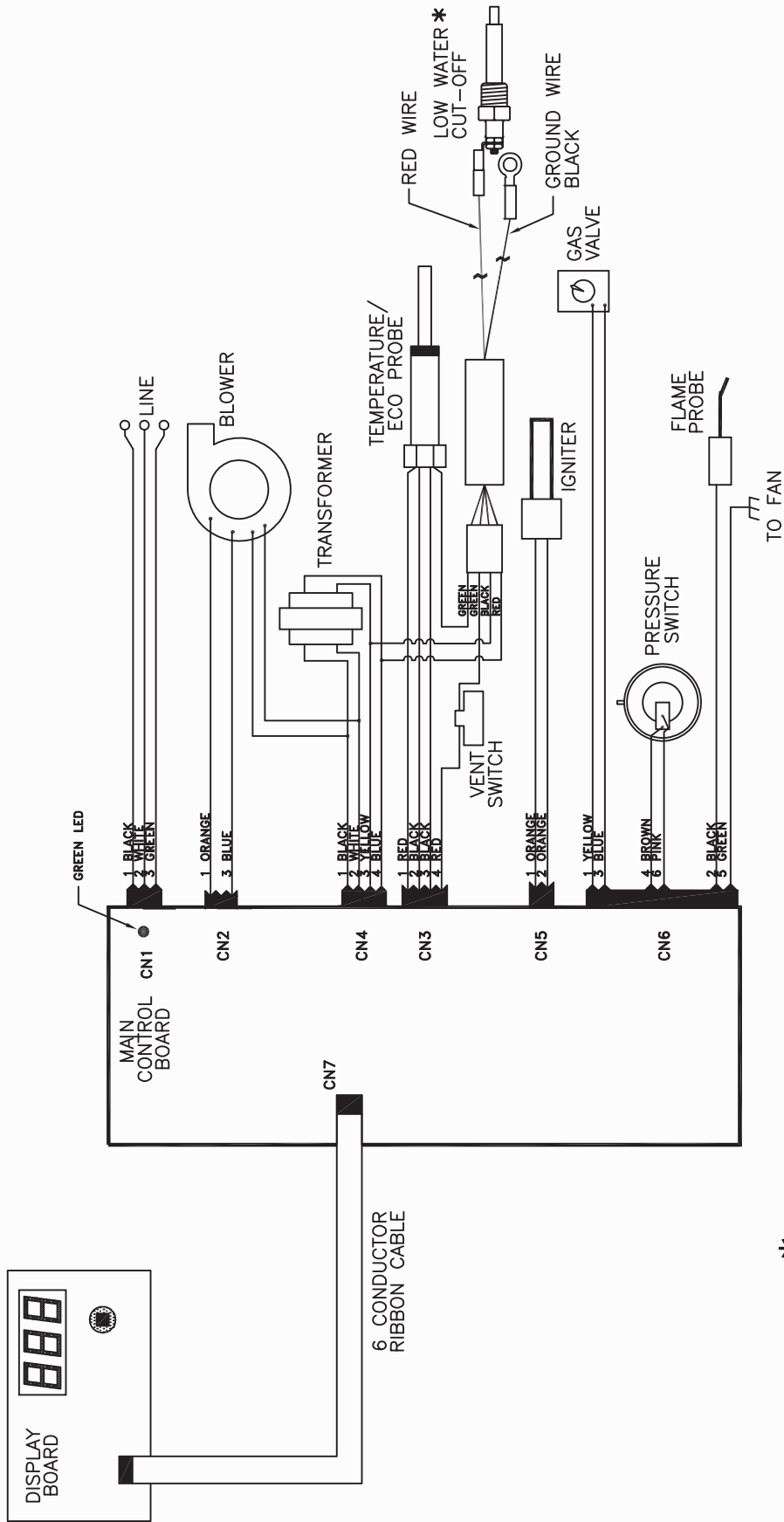
ECO SWITCH OPEN

ECO LED Flashing



- | POSSIBLE CAUSE | REMEDY |
|------------------------------|--|
| 1. Temp probe unplugged | 1. Check connectors |
| 2. Temp probe wiring damaged | 2. Repair wiring |
| 3. Water in tank too hot | 3. Normal condition when water temp exceeds safety limit. (198 ° opens 160° closes) Allow water into the tank or admit cold water into tank, and manually reset the control. Determine cause for overtemp condition. |
| 4. Over temp. switch open | 4. Reset manual reset , check for blocked flue condition. test over temp. switch for continuity after resetting, |

WHC1200 INTEGRATED WATER HEATER CONTROL CONNECTION DIAGRAM

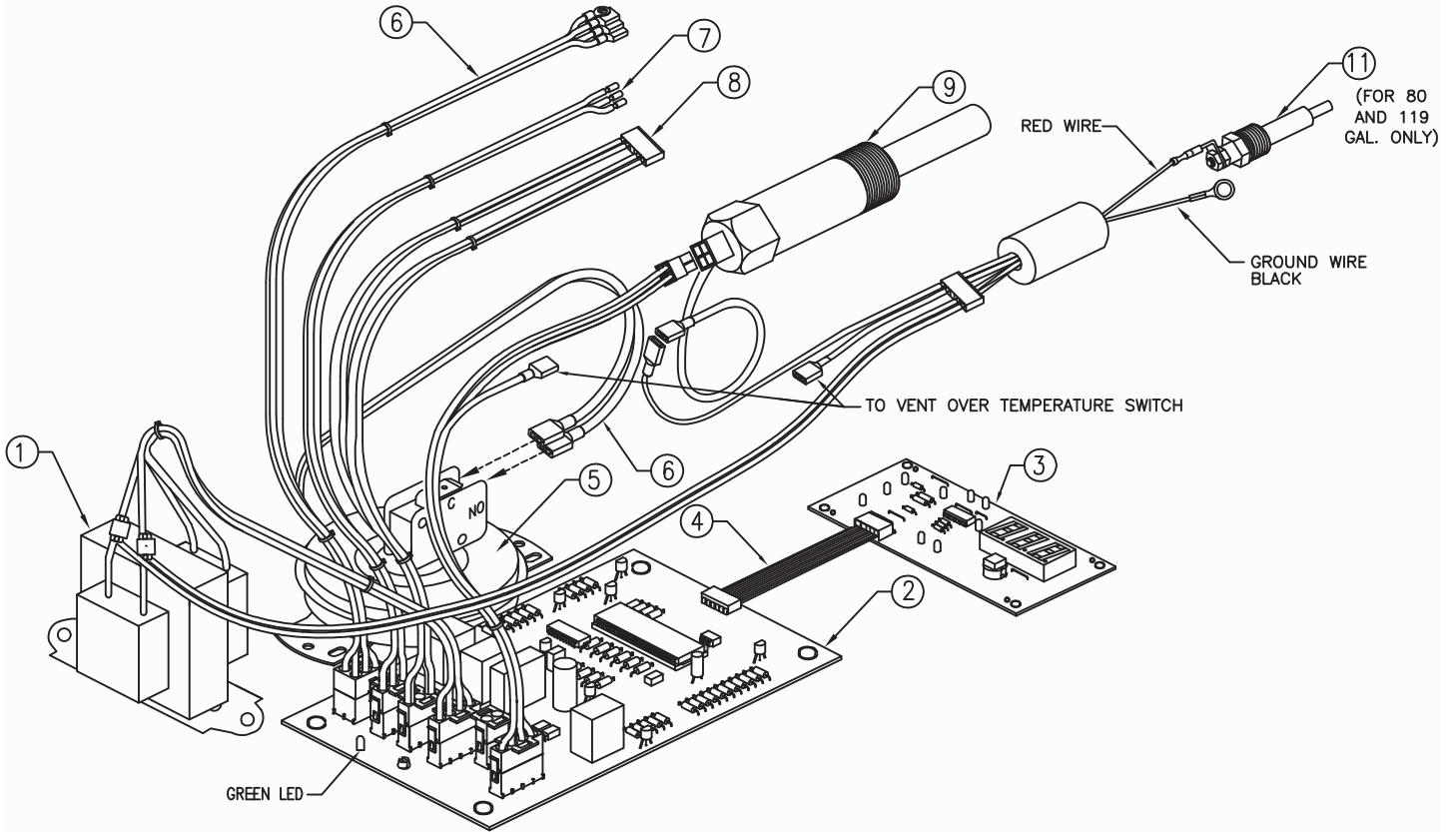


* LOW WATER CUT-OFF FOR 80 GAL. AND 119 GAL ONLY

INTEGRATED WATER HEATER CONTROL 1200 BOARD SYSTEM

REPLACEMENT PARTS IDENTIFICATION		
ITEM	DESCRIPTION	HTP PART NUMBER
1	TRANSFORMER & BLOWER SUPPLY CABLE	7000-666
2	CONTROL BOARD - MUST SPECIFY MODEL & SERIAL NUMBER WHEN ORDERING	7000-702
3	DISPLAY BOARD	7000-664
4	DISPLAY BOARD TO CONTROL BOARD WIRE	7000-665
5	PRESSURE SWITCH	7250P-150
6	WIRE HARNESS FROM CN6 TO GAS VALVE, FLAME PROBE AND PRESS. SWITCH	710B0041
7	WIRE HARNESS FROM CN1 TO LINE POWER	710B0048
8	WIRE HARNESS FROM CN2 TO COMBUSTION BLOWER & TRANSFORMER	7000-666
9	ECO/TEMPERATURE PROBE (WIRED TO CN3)	WHC1001-ECO-1
*10	PUSH BUTTON SWITCH FOR IGNITOR & FLAME CURRENT	7000-667
11	LOW WATER CUT-OFF SENSOR ASSEMBLY (FOR 80 AND 119 GAL. ONLY)	7000P-852

*NOT SHOWN



TYPICAL VENTING

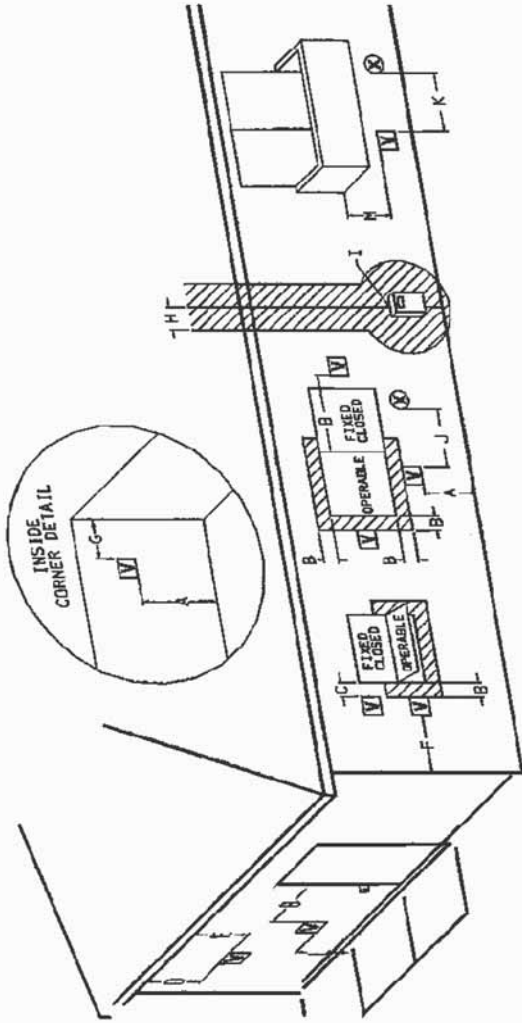
CAUTION

YOU MUST USE SUPPLIED ABS PIPE FOR FIRST 84" OF EXHAUST PIPING. ADDITIONAL PIPING CAN BE ABS OR PVC. YOU MUST SUPPORT ALL PIPING, THE APPLIANCE IS NOT INTENDED TO SUPPORT VENTING PIPES.

PLEASE NOTE: THE METHODS DESCRIBED ARE SUGGESTED GENERIC METHODS ONLY. SPECIFIC JOB SITE OBSERVATIONS AND SIZING MAY REQUIRE ALTERNATE INSTALLATION METHODS. REFER TO FIG. 3A PG. 21 FOR FURTHER DETAILS.

- 1) Never vent into a walkway or patio area, or any alley, or otherwise public area less than 7' from the ground.
- 2) never install a heat saver or similar product to capture waste heat from exhaust.
- 3) Always have a vent location at least 1' above maximum snow level.
- 4) Always have vent 1' above ground level, away from shrubs and bushes.
- 5) Always be at least 2' horizontally from doors or windows. (36" for Canadian installations. Refer to Fig. 3A pg. 21.)
- 6) Always have vent at least 3' from inside corner of outside walls.
- 7) Maintain at least 4' clearance to electric, gas meters, and exhaust fans or inlets.
- 8) VERY IMPORTANT!! Inlet air must be taken from outside of building, next to exhaust outlet, no closer than 8".
- 9) Always place screens in all the intake and exhaust openings to prevent foreign matter from entering the Voyager.
- 10) The vent intake and exhaust must be properly cleaned and glued for pressure tight joints.
- 11) The vent intake and exhaust must be properly cleaned and glued, for pressure tight joints. Several methods for venting the Super-E can be found on pages 22 and 23. Use the following layout as a guideline; certain site conditions such as multiple roof lines/pitches may require venting modifications – consult factory. The air inlet must be a minimum of 1' vertically above the maximum snow level of 24", whichever is greater. The air inlet must also be a minimum of 10' horizontally from the roof, and terminated with a tee. The exhaust must be minimum of 24" above the air inlet opening, and terminated with a coupling. It is very important that there are no other vents, chimneys, or air inlets in any direction for at least 4'. Please refer to typical venting on pages 22 and 23. ALL VENTING MUST BE PROPERLY SUPPORTED, AS THE VOYAGER IS NOT INTENDED TO SUPPORT ANY VENTING WHATSOEVER. All piping, glue, solvents, cleaners, fittings, and components, must conform to ASTM (American Society for Testing and Materials), and ANSI (American National Standard Institute).
- 12) It is recommended that you use one of the mentioned vent kits specifically for Super-E installations; either KGAVT0501CVT (2 in.) or KGAVT0601CVT (3 in.) or the V1000.

NOTE: CLEARANCE SHALL BE IN ACCORDANCE WITH LOCAL INSTALLATION CODES AND THE REQUIREMENTS OF THE GAS SUPPLIER.



	VENT TERMINAL	AIR SUPPLY INLET	AREA WHERE TERMINAL IS NOT PERMITTED	Canadian Installations ¹	US Installations ²	US Installations ²
A=	Clearance above grade, veranda, porch, deck, or balcony			12 inches (30 cm)	12 inches (30 cm)	6 inches (15 cm) for appliances ≤ 10,000 Btuh (3 kW), 9 inches (23 cm) for appliances > 10,000 Btuh (3 kW) and ≤ 50,000 Btuh (15 kW), 12 inches (30 cm) for appliances > 50,000 Btuh (15 kW)
B=	Clearance to window or door that may be opened			6 inches (15 cm) for appliances ≤ 10,000 Btuh (3 kW), 12 inches (30 cm) for appliances > 10,000 Btuh (3 kW) and ≤ 50,000 Btuh (15 kW), 36 inches (91 cm) for appliances > 50,000 Btuh (15 kW)	6 inches (15 cm) for appliances ≤ 10,000 Btuh (3 kW), 12 inches (30 cm) for appliances > 10,000 Btuh (3 kW) and ≤ 50,000 Btuh (15 kW), 36 inches (91 cm) for appliances > 50,000 Btuh (15 kW)	6 inches (15 cm) for appliances ≤ 10,000 Btuh (3 kW), 9 inches (23 cm) for appliances > 10,000 Btuh (3 kW) and ≤ 50,000 Btuh (15 kW), 12 inches (30 cm) for appliances > 50,000 Btuh (15 kW)
C=	Clearance to window or door that may be opened			*	*	3 feet (91 cm) above if within 10 feet (3 m) horizontally
D=	Clearance to permanently closed window			*	*	
E=	Clearance to unventilated soffit			*	*	
F=	Clearance to outside corner			*	*	
G=	Clearance to inside corner			*	*	
H=	Clearance to each side of center line extended above meter/regulator assembly			3 feet (91 cm) within a height 1.5 feet above the meter/regulator assembly		
I=	Clearance to service regulator vent outlet			3 feet (1.83 m)	*	
L=	Clearance above paved sidewalk or paved driveway located on public property					7 feet (2.13 m) †
M=	Clearance under veranda, porch deck, or balcony					12 inches (30 cm) ‡

¹ In accordance with the current CSA B149.1 Natural Gas and Propane Installation Code
² In accordance with the current ANSI Z223.1 / NFPA 54 National Fuel Gas Code
† A vent shall not terminate directly above a sidewalk or paved driveway that is located between two single family dwellings and serves both dwellings.
‡ Permitted only if veranda, porch, deck, or balcony is fully open on a minimum of two sides beneath the floor.
* For clearances not specified in ANSI Z223.1 / NFPA 54 or CSA-B149.1, one of the following shall be indicated:
a) A minimum clearance value determined by testing in accordance with section 2.20, or;
b) A reference to the following footnote:

Figure 3-A: Direct Vent Terminal Clearances per ANSI Z21.10.3-2004/CSA 4.3-2004

VERY IMPORTANT SET-UP INSTRUCTIONS!

IF YOU HAVE A COMBUSTION ANALYZER, THE FOLLOWING RATINGS WILL BE VERY HELPFUL IN SETTING UP YOUR VOYAGER:

FOR NATURAL GAS — CO₂ READING SHOULD BE BETWEEN 9 1/2 % & 10 1/2 %
 O₂ READING SHOULD BE BETWEEN 3 1/2 % & 4 1/2 %
 CO READING SHOULD BE UNDER 10 PPM

FOR PROPANE GAS — CO₂ READING SHOULD BE BETWEEN 10 1/2 % & 11 1/2 %
 O₂ READING SHOULD BE BETWEEN 3 1/2 % & 4 1/2 %
 CO READING SHOULD BE UNDER 10 PPM

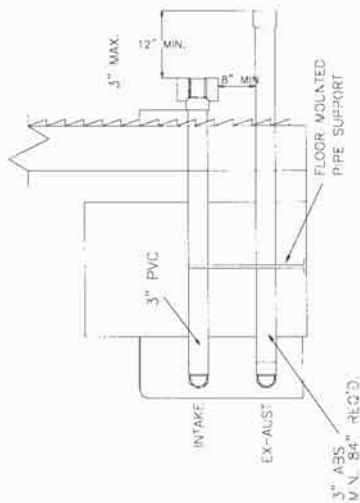


FIGURE 1
SIDE VENTING
SIDE VIEW

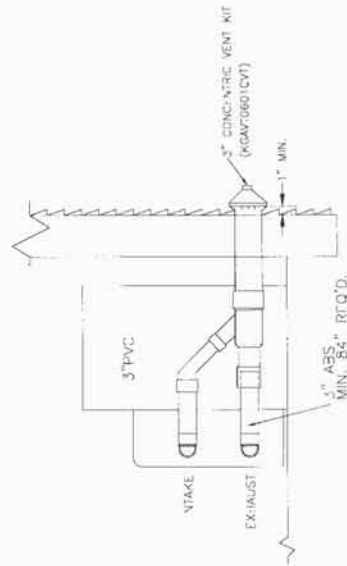


FIGURE 2
SIDE VENTING
SIDE VIEW

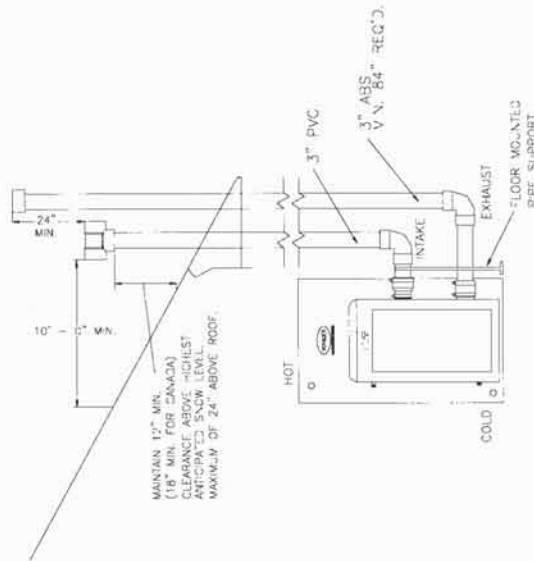


FIGURE 3
VERTICAL ROOF VENTING
FRONT VIEW

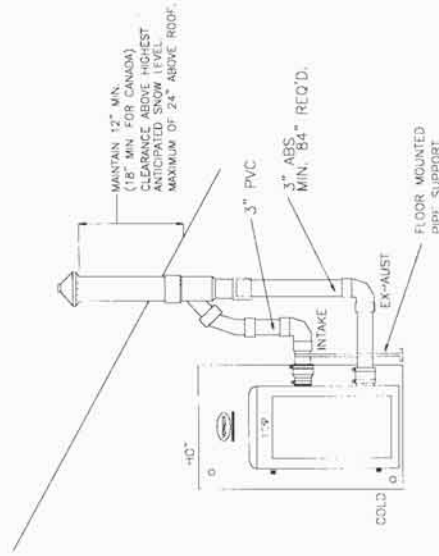
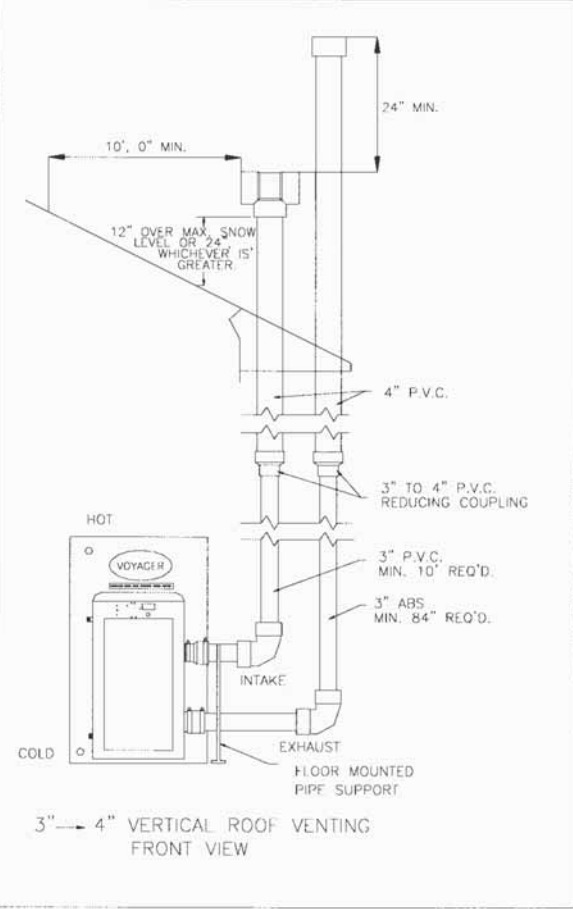
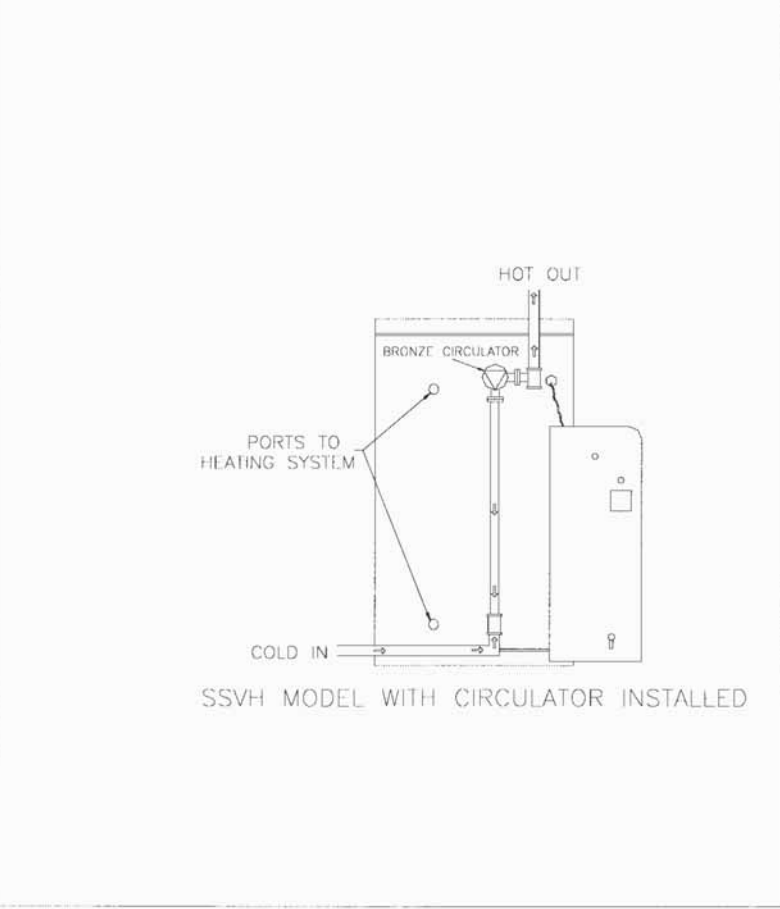
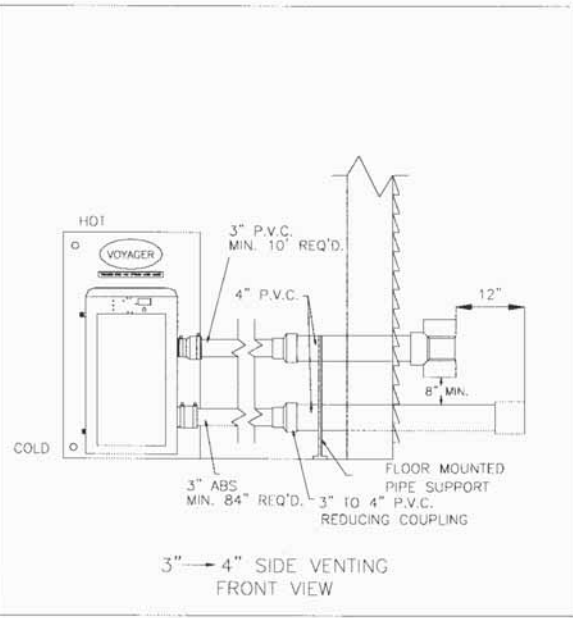
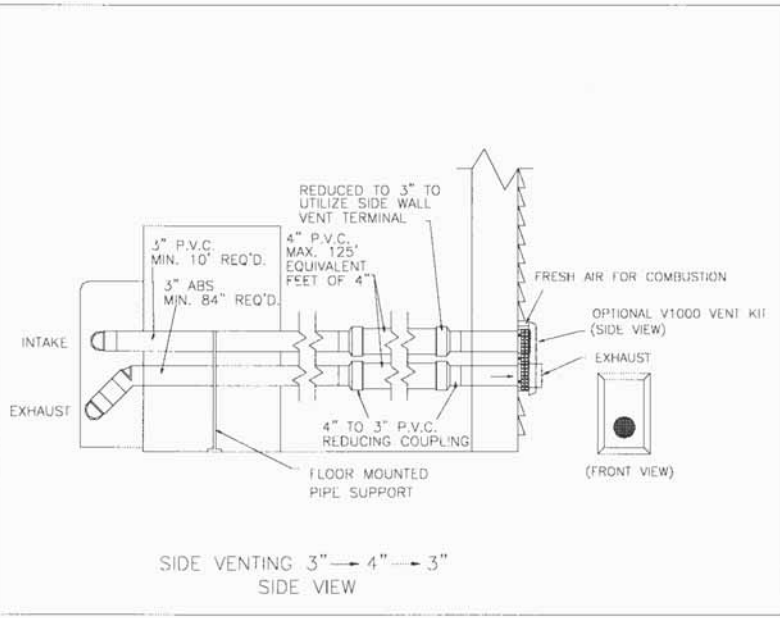
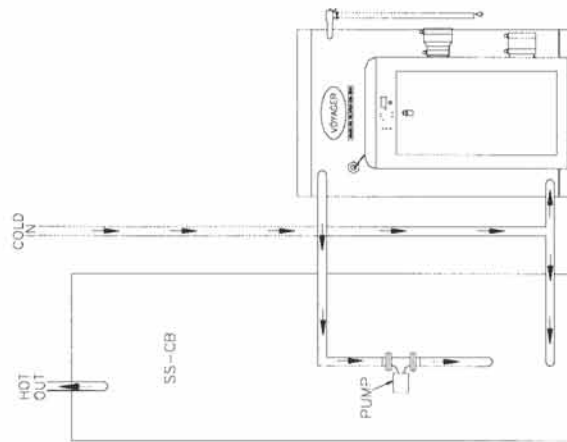


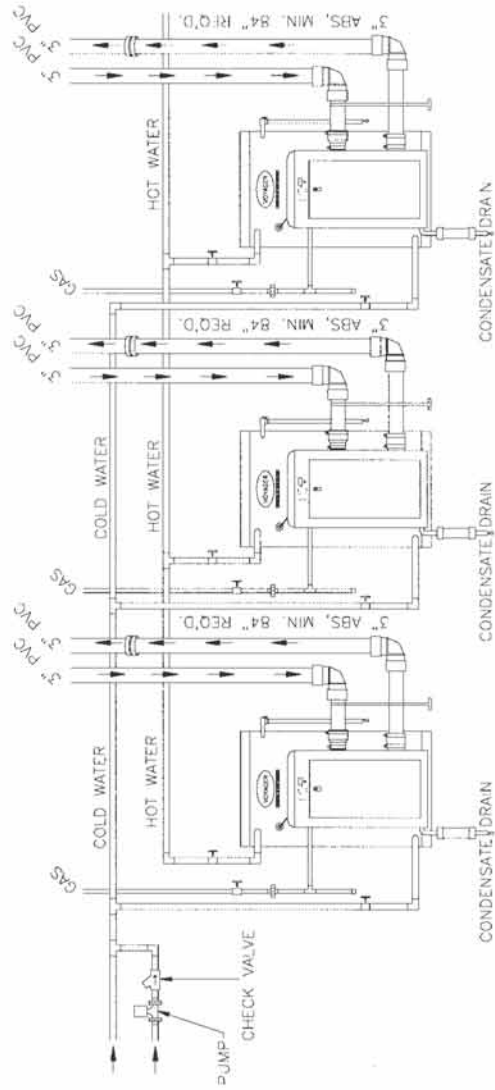
FIGURE 4
VERTICAL ROOF VENTING W/CENTRIC VENT KIT
(KGAVT0601CVT), 3 IN. — FRONT VIEW



VOYAGER WITH STORAGE TANK

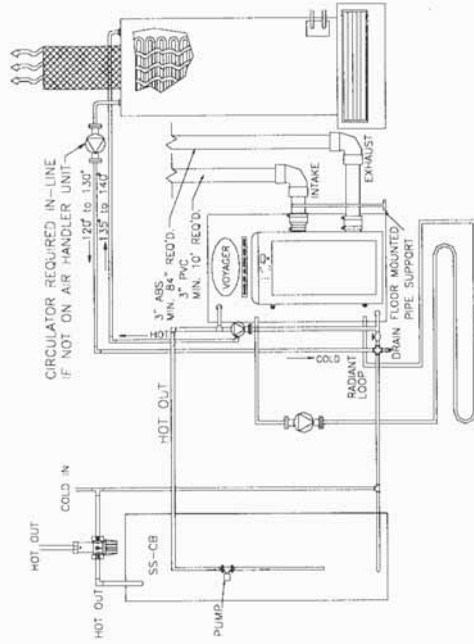


REVERSE MANIFOLD AND PIPING DIAGRAM FOR VOYAGER

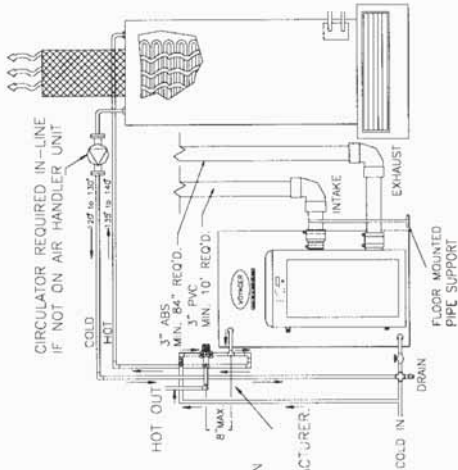


THE INFORMATION CONTAINED IN THIS MANUAL IS FOR GUIDANCE ONLY. THE FACTORY CANNOT BE HELD RESPONSIBLE FOR ANY PROBLEMS ENCOUNTERED WITH INSTALLATION METHODS SHOWN.

COMBINATION HEATING, COOLING, AND DOMESTIC
HOT WATER HEATING AND RADIANT LOOP FOR HEATING
WITH ADDITIONAL STORAGE



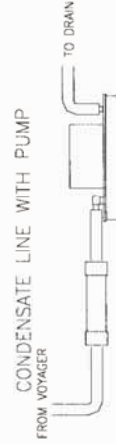
COMBINATION HEATING, COOLING, AND DOMESTIC
HOT WATER HEATING



SPARCO AQUAM X SHOWN
(AM-101C)
FOR OTHER VALVES,
CONSULT VALVE MANUFACTURER.

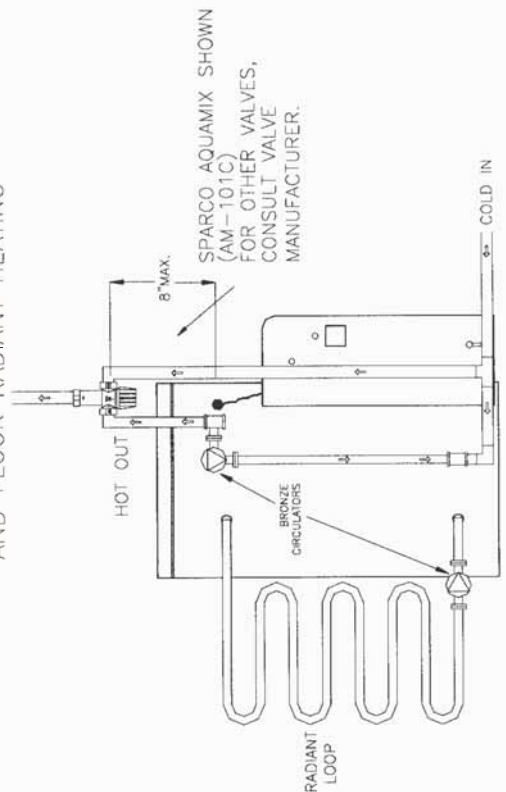
VOYAGER HIGH EFFICIENCY GAS-FIRED WATER HEATERS WITH AIR HANDLERS
SHOULD BE INSTALLED BY THE INSTALLING CONTRACTOR, BASED ON
THE DRAWING SUPPLIED. ANY DEVIATIONS FROM THIS DRAWING MUST BE
APPROVED BY THE FACTORY AT: 1-800-323-9651 (TECH. SUPPORT)

INSTALLATION OF CONDENSATE NEUTRALIZER/PUMP



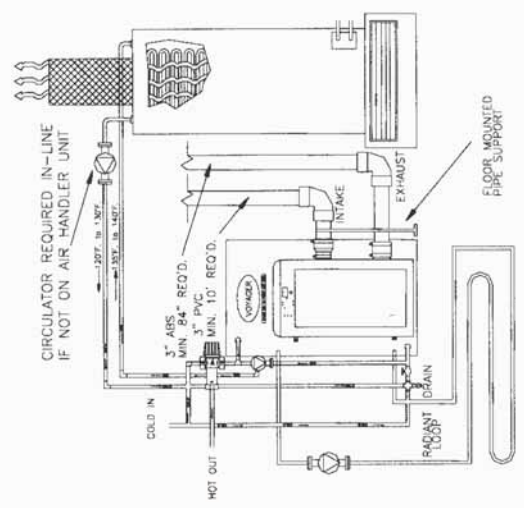
CONDENSATE LINE MUST BE PITCHED AT LEAST 1/4" PER FOOT TO PROPERLY
DRAIN. IF THIS CANNOT BE DONE OR A VERY LONG LENGTH OF CONDENSATE
HOSE IS USED YOU MUST INCREASE THE CONDENSATE HOSE TO A MINIMUM
OF 1" I.D. AND PLACE A TEE IN THE LINE AFTER THE CONDENSATE NEUTRALIZER
TO PROPERLY REDUCE VACUUM LOCK IN THE DRAIN LINE

COMBINATION WATER HEATING
AND FLOOR RADIANT HEATING



VOYAGER AS CLOSED LOOP HEAT SOURCE

COMBINATION HEATING, COOLING, AND DOMESTIC
HOT WATER HEATING AND RADIANT LOOP FOR HEATING



VOYAGER HIGH EFFICIENCY GAS-FIRED WATER HEATERS WITH AIR HANDLERS SHOULD BE INSTALLED BY THE INSTALLING CONTRACTOR, BASED ON THE DRAWING SUPPLIED. ANY DEVIATIONS FROM THIS DRAWING MUST BE APPROVED BY THE FACTORY AT: 1-800-323-9651 (TECH. SUPPORT)

COMPLETE TEAR DOWN PROCEDURE

TOOLS REQUIRED:	5/16" NUT DRIVER	¼" FLAT HEAD SCREWDRIVER
	3/8" DEEP SOCKET	#2 PHILLIPS HEAD SCREWDRIVER
	7/16" DEEP SOCKET	10" PIPE WRENCH
	½" DEEP SOCKET	1 ¼" DRIVE INCH POUND TORQUE
	3/8" WRENCH	WRENCH (RANGE 0-200)
	7/16" WRENCH	SNAP RING OR NEEDLE NOSE PLIERS

NOTE:

SEE END OF THIS SECTION FOR PARTS DIAGRAMS.

1. DISCONNECT POWER FROM UNIT.
2. SHUT OFF GAS SUPPLY.
3. REMOVE CABINET DOOR.
4. SHUT OFF GAS VALVE BY TURNING THE BLUE KNOB ON THE GAS VALVE.
5. DISCONNECT THE AIR INLET PIPE AT THE SMALL END OF THE AIR INLET CONNECTOR BY LOOSENING THE HOSE CLAMP WITH A 5/16" NUT DRIVER.
6. REMOVE THE CLEAR VINYL HOSE THAT RUNS FROM THE GAS VALVE TO THE AIR INLET ADAPTER.
7. BREAK THE GAS ORIFICE UNION BY TURNING THE UNION CLOCKWISE WITH A 10" PIPE WRENCH.

NOTE:

BE SURE NOT TO LOSE THE GAS ORIFICE HELD INSIDE THE UNION.

8. REMOVE THE BRASS BARB FROM THE AIR INLET ADAPTER WITH A 7/16" DEEP SOCKET.
9. LOOSEN THE AIR INLET ADAPTER AND PULL THE AIR INLET ADAPTER THROUGH THE SIDE OF THE CABINET.

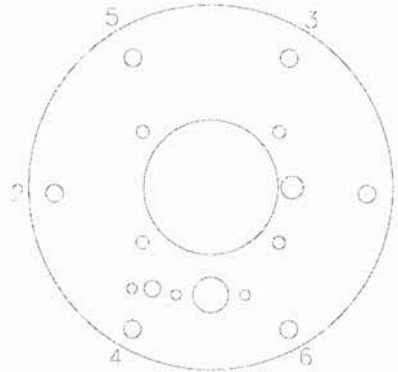
NOTE:

BE SURE NOT TO LOSE THE AIR ORIFICE SNAPPED INTO THE END OF THE ALUMINUM PIPE.

10. REMOVE THE FOUR BRASS NUTS HOLDING THE ALUMINUM AIR INLET ASSEMBLY TO THE BLOWER, WITH A 3/8" DEEP SOCKET.
11. REMOVE THE BLOWER OUTLET FLANGE GASKET FROM THE BLOWER.
12. REMOVE THE GAS VALVE WIRING HARNESS FROM THE GAS VALVE BY PRESSING ON THE TABS ON THE TOP AND BOTTOM OF THE PLUG AND PULLING.
13. REMOVE THE TWO GREEN GROUNDING WIRES FROM THE TOP/REAR OF THE BLOWER BY TAKING OUT THE GREEN GROUNDING SCREW WITH A 5/16" NUT DRIVER.
14. REMOVE THE BLACK WIRE FROM THE FLAME RECTIFICATION PROBE, BY PULLING ON IT.
15. REMOVE THE IGNITOR WIRING HARNESS FROM THE CONTROL BOARD BY PRESSING ON THE TABS ON THE TOP AND BOTTOM OF THE PLUG AND PULLING.
16. REMOVE THE TWO BRASS NUTS RETAINING THE IGNITOR, WITH A 3/8" DEEP SOCKET.
17. GENTLY PRY THE IGNITOR BACK ABOUT 1/16 OF AN INCH, WITH A ¼" FLAT HEAD SCREWDRIVER. NOW PULL THE IGNITOR STRAIGHT BACK. BE VERY CAREFUL THAT YOU DO NOT WIGGLE THE IGNITOR AT ALL!
18. REMOVE THE FLAME RECTIFICATION PROBE BY REMOVING THE SCREW TO THE LEFT OF THE ELECTRICAL CONNECTOR WITH A #2 PHILLIPS HEAD SCREWDRIVER AND PULLING IT STRAIGHT BACK.
19. REMOVE THE CLEAR VINYL HOSE FROM THE LEFT/BACK OF THE BLOWER.
20. REMOVE THE BLOWER WIRING HARNESS FROM THE LEFT/BOTTOM OF THE BLOWER BY PULLING STRAIGHT OUT.
21. REMOVE THE FOUR BRASS NUT RETAINING THE BLOWER TO THE OUTER BURNER MOUNTING FLANGE WITH A 7/16" WRENCH.
22. PULL THE BLOWER STRAIGHT BACK BEING CAREFUL NOT TO LOSE THE SIGHT GLASS.
23. REMOVE THE BURNER BY PRYING IT AWAY FROM THE OUTER BURNER MOUNTING FLANGE AND THEN PULLING IT STRAIGHT BACK.
24. REMOVE THE OLD BURNER MOUNTING FLANGE GASKET BY REMOVING THE SIX NUTS WITH A ½" DEEP SOCKET.
25. REMOVE ALL OF THE OLD GASKET MATERIAL FROM ALL SURFACES EXCEPT FOR THE SIGHT GLASS WINDOW GASKET.

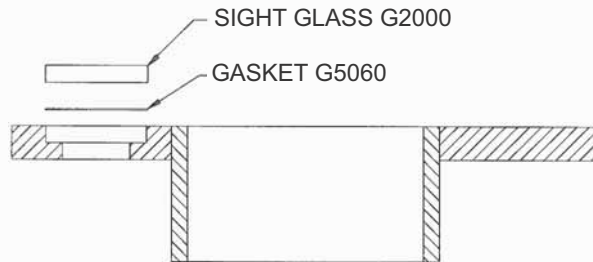
ASSEMBLY

1. REPLACE THE WHITE FIBER BURNER MOUNTING FLANGE GASKET WITH A NEW GASKET.
2. PUT THE BURNER MOUNTING FLANGE BACK IN PLACE WITH THE 1/2" HOLE NEXT TO THE LARGE HOLE IN THE CENTER OF THE PLATE TO THE RIGHT AND WITH THE STUDS FACING OUT.
3. TIGHTEN THE SIX 1/2" NUTS TO 50 INCH POUNDS TORQUE AND THEN 200 INCH POUNDS TORQUE IN THE FOLLOWING ORDER:

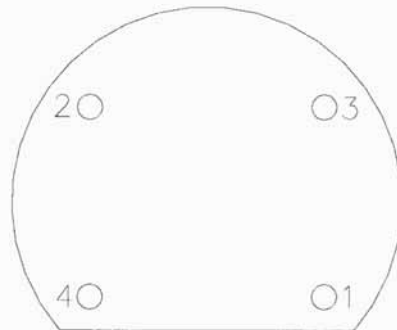


4. REPLACE THE BURNER MOUNTING FLANGE GASKET WITH A NEW GASKET, BE SURE THAT BOTH SIDES OF THE GASKET ARE SPRAYED WITH PERMATEX HIGH STACK SPRAY-A-GASKET ADHESIVE SEALANT (PART #99MA).
5. RE-INSERT THE BBURNER WITH THE FLAT SIDE OF THE FLANGE FACING DOWN.
6. REPLACE THE BLOWER OUTLET FLANGE GASKET WITH A NEW GASKET BE SURE THAT BOTH SIDES OF THE GASKET ARE SPRAYED WITH PERMATEX HIGH TACK SPRAY-A-GASKET ADHESIVE SEALANT (PART #99MA).
7. PLACE BLOWER ON BURNER MOUNTING FLANGE. BE SURE THAT THE SIGHT GLASS IS IN PLACE AND THE GASKET IS INSTALLED CORRECTLY AS SHOWN BELOW:

IF GASKET OR SIGHT WINDOW ARE DAMAGED IN ANY WAY, REPLACE THEM WITH NEW ONES.



8. TIGHTEN THE BLOWER BOLTS FIRST TO 50 INCH POUNDS TORQUE, THEN TO 150 INCH POUNDS TORQUE, IN THE FOLLOWING ORDER:

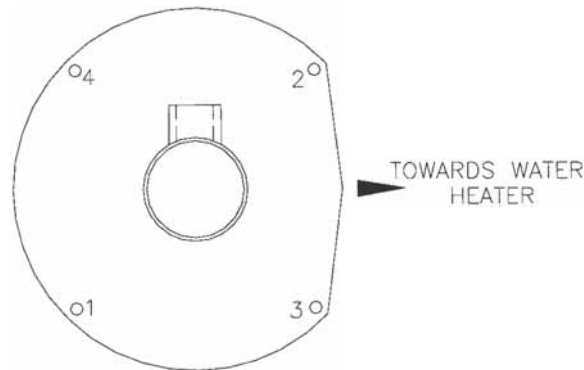


9. PLACE THE IGNITOR BACK INTO THE BURNER MOUNTING FLANGE, BEING VERY CAREFUL OF THE ELEMENT, WHICH IS EXTREMELY FRAGILE.

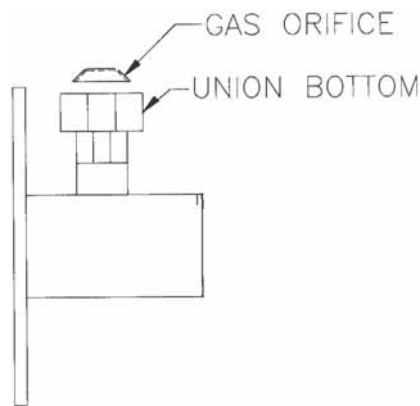
10. TIGHTEN THE TWO 3/8" IGNITOR NUTS TO 50 INCH POUNDS TORQUE.
11. PLACE THE FLAME RECTIFICATION PROBE BACK INTO THE BURNER MOUNTING FLANGE AND TIGHTEN THE SCREW WITH A #2 PHILLIPS HEAD SCREWDRIVER.
12. RE-INSTALL THE AIR INLET GASKET TO THE RIGHT SIDE OF THE BLOWER WITH THE TWO ANGLE CUTS FACING TOWARD THE WATER HEATER.
13. RE-INSTALL THE ALUMINUM AIR INLET ASSEMBLY WITH THE TWO ANGLE CUTS FACING THE WATER HEATER.
14. TIGHTEN THE FOUR 3/8" NUTS TO 5 INCH POUNDS TORQUE IN THE FOLLOWING ORDER:

NOTE:

IF THESE BOLTS ARE OVER TIGHTENED, THE BLOWER WILL BE DAMAGED AND WILL HAVE TO BE REPLACED.

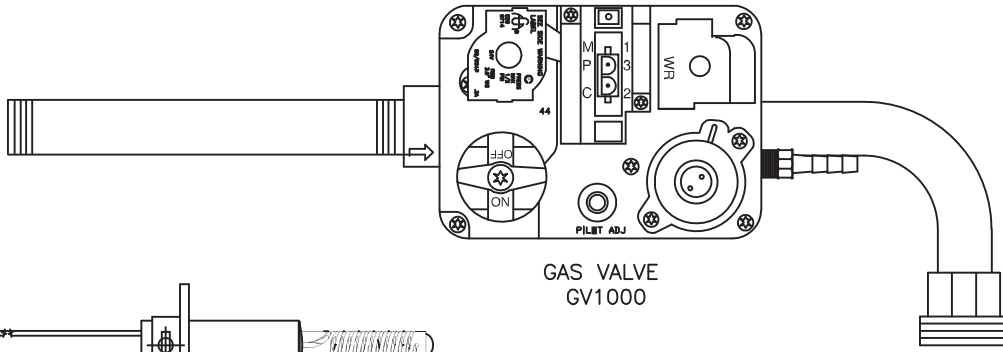


15. SNAP THE AIR ORIFICE INTO THE END OF THE AIR INLET MANIFOLD.
16. SLIDE THE AIR INLET ADAPTER OVER THE END OF THE AIR INLET MANIFOLD UNTIL THE STOP INSIDE THE AIR INLET ADAPTER CONTACTS THE END OF THE AIR INLET MANIFOLD.
17. TIGHTEN THE TRAP ADAPTER BY HAND, WITH 1/8" PIPE THREAD FACING UP.
18. RE-INSTALL THE 1/8" BRASS BARB BACK INTO THE TRAP ADAPTER WITH A 7/16" DEEP SOCKET.
19. PLACE GAS ORIFICE ON TOP OF THE SPLIT UNION WITH THOLE FACING UP, AS SHOWN BELOW:

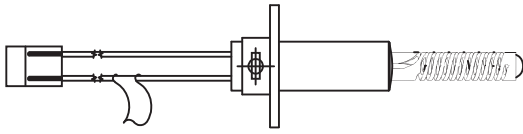


20. RE-CONNECT THE GAS VALVE TO THE AIR INLET MANIFOLD BY TURNING THE UNION COUNTER-CLOCKWISE AND TIGHTENING IT WITH A 10" PIPE WRENCH.
21. RE-CONNECT THE CLEAR VINYL HOSE FROM THE GAS VALVE TO THE AIR INLET ADAPTER.
22. PLUG THE BLOWER POWER WIRE INTO THE LEFT-BOTTOM OF THE BLOWER WITH THE WHITE TOWARDS THE TOP.
23. RE-CONNECT THE CLEAR VINYL HOSE FROM THE PRESSURE SWITCH TO THE BARB ON THE BACK-LEFT OF THE BLOWER.
24. PLUG THE IGNITOR WIRING HARNESS BACK INTO THE CONTROL BOARD.
25. RE-CONNECT THE BLACK WIRE TO THE FLAME RECTIFICATION PROBE, BY PUSHING THE CONNECTOR OVER THE BLADE ON THE FLAME RECTIFICATION PROBE.
26. SCREW THE TWO GREEN GROUNDING WIRES TO THE TOP-BACK OF THE BLOWER WITH THE GREEN GROUNDING SCREW, USING A 5/16" NUT DRIVER.
27. PLUG THE GAS VALVE WIRING HARNESS BACK INTO THE GAS VALVE WITH THE BLUE WIRE TOWARDS THE BOTTOM OF THE CONNECTOR.
28. RE-CONNECT THE AIR INLET PIPING BY LOOSENING THE SMALLER HOSE CLAMP ON THE AIR INLET CONNECTOR ALL THE WAY, AND THEN SLIDING THE BOOT OVER THE END OF THE AIR INLET ADAPTER, THEN TIGHTEN, USING A 5/16" NUT DRIVER.

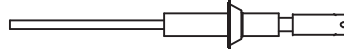
PARTS ILLUSTRATIONS



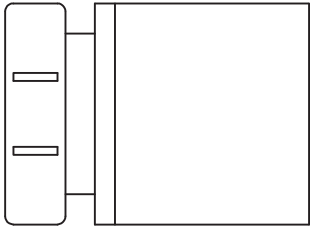
GAS VALVE
GV1000



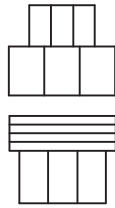
110V SURFACE IGNITOR
0206FF003



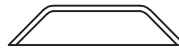
FLAME RECTIFICATION PROBE
PSE-TF1



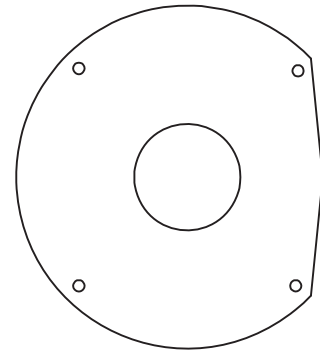
TRAP ADAPTER
9500-0025



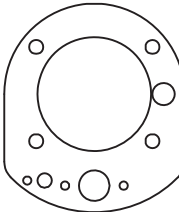
GAS ORIFICE UNION
9500-0028



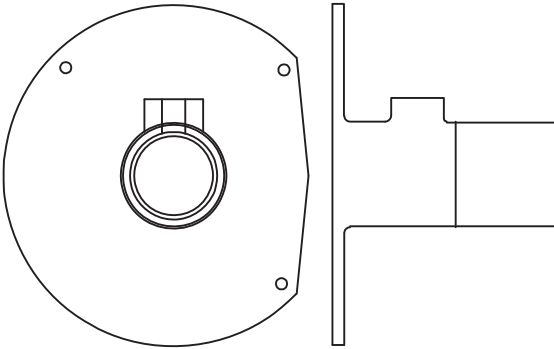
GAS ORIFICE
5500-0009



AIR INLET ASSEMBLY GASKET
G5030

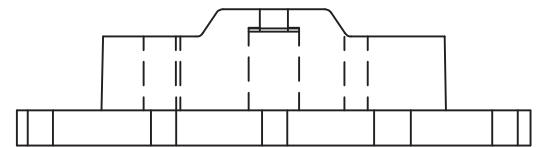
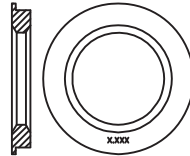


BURNER MOUNTING FLANGE GASKET
G5010

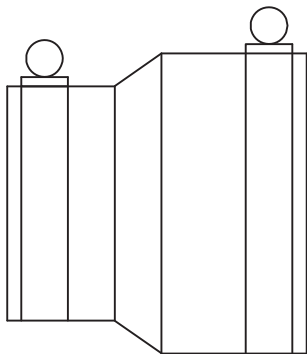


AIR INLET ASSEMBLY
A5000

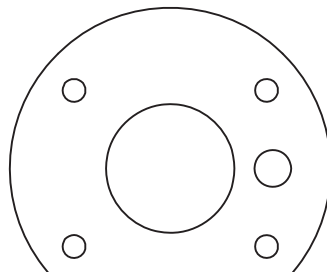
ALUMINUM AIR ORIFICE		
7000-435	-	1.00"
7000-751	-	1.125"
7000-752	-	1.375"



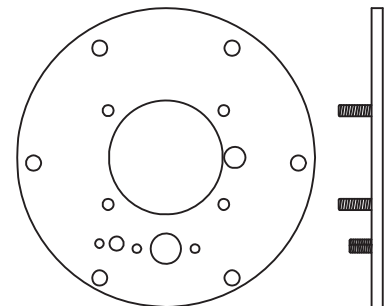
BURNER MOUNTING FLANGE ASSEMBLY
7000-820



AIR INLET CONNECTOR
F3000 - 2-3" COUPLING
F3001 - 2-2" COUPLING



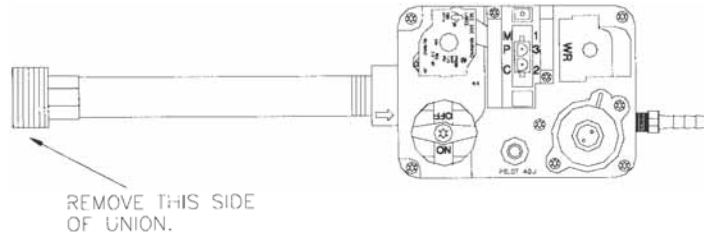
GAS BLOWER OUTLET FLANGE
7000-427



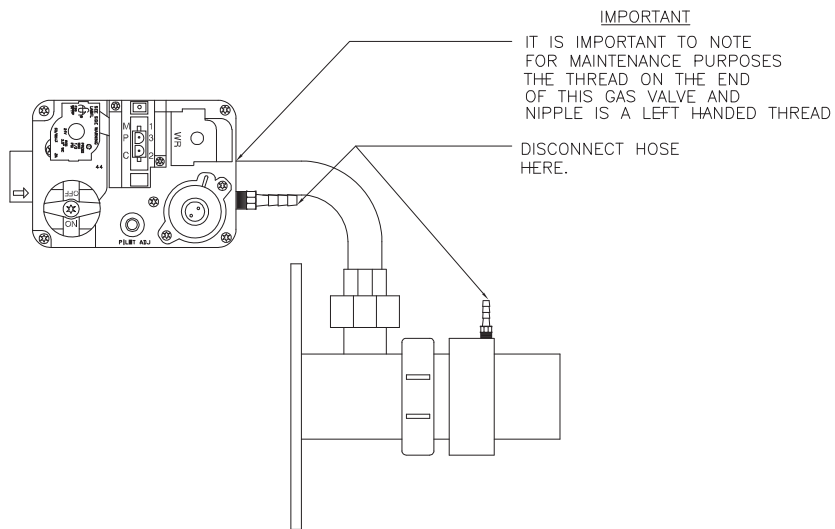
OUTER BURNER MOUNTING FLANGE
7000-380

GAS VALVE REPLACEMENT - REMOVAL

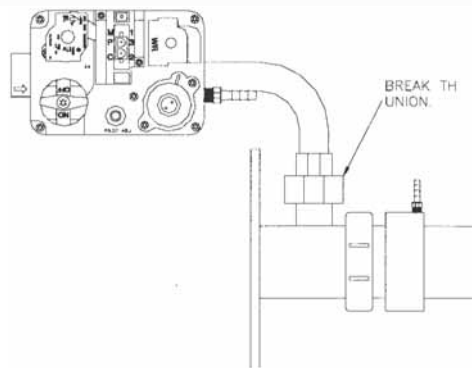
1. SHUT OFF POWER TO THE SUPER-E.
2. REMOVE THE DOOR FROM THE SUPER-E CABINET.
3. SHUT OFF THE GAS VALVE BY TURNING THE BLUE KNOB ON THE VALVE TO THE "OFF" POSITION.
4. SHUT OF THE GAS SUPPLY TO THE VOYAGER.
5. BREAK THE UNION ON THE GAS LINE LOCATED BEFORE THE GAS VALVE, AND REMOVE THE HALF OF THE UNION THAT IS CONNECTED TO THE GAS VALVE INLET PIPE.



6. REMOVE THE C TRAP ADAPTER.



7. BREAK THE UNION THAT CONNECTS THE GAS VALVE TO THE AIR INLET MANIFOLD.



8. SLIDE THE GAS VALVE OUT THROUGH THE FRONT OF THE VOYAGER CABINET. REMOVE THE GAS VALVE WIRING HARNESS FROM THE GAS VALVE.

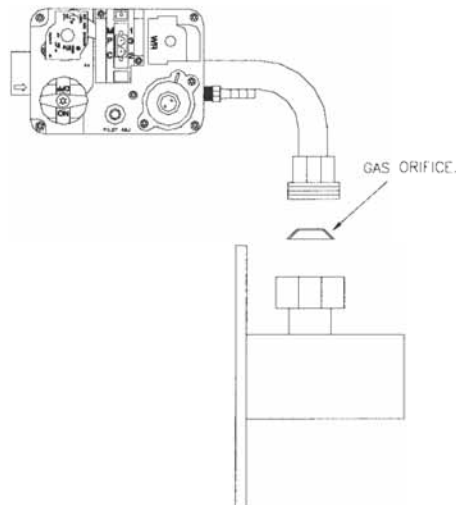
GAS VALVE REPLACEMENT - INSTALLATION

NOTE:

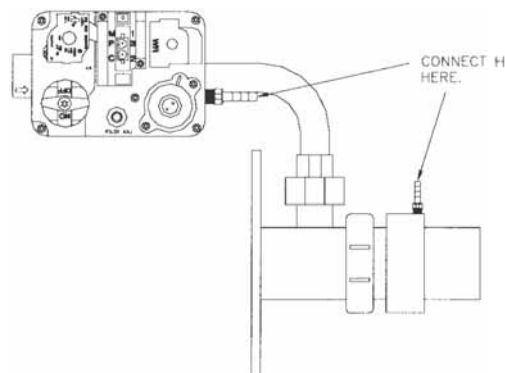
IF YOU HAVE TWO MANOMETERS AVAILABLE, THEN FOLLOW INSTALLATION PROCEDURE #2. IF NO MANOMETERS ARE AVAILABLE, USE INSTALLATION PROCEDURE #1.

PROCEDURE #1

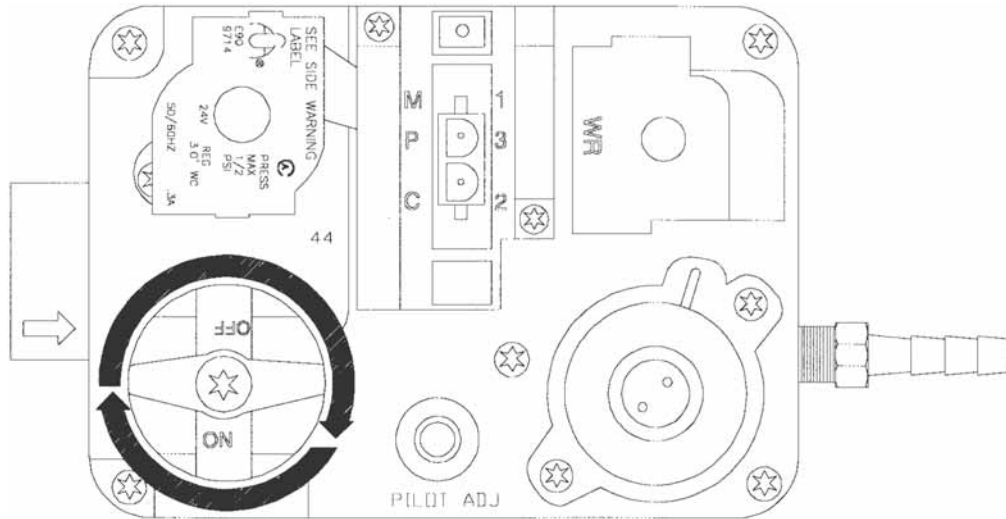
1. RE-CONNECT THE GAS VALVE WIRING HARNESS TO THE GAS VALVE.
2. SLIDE THE GAS VALVE BACK INTO POSITION BY PUTTING THE GAS VALVE INLET THROUGH THE GAS VALVE INLET HOLE IN THE LEFT-TOP OF THE SUPER-E CABINET.
3. PLACE THE GAS ORIFICE BACK ON THE BOTTOM HALF OF THE UNION, AND TIGHTEN THE UNION.



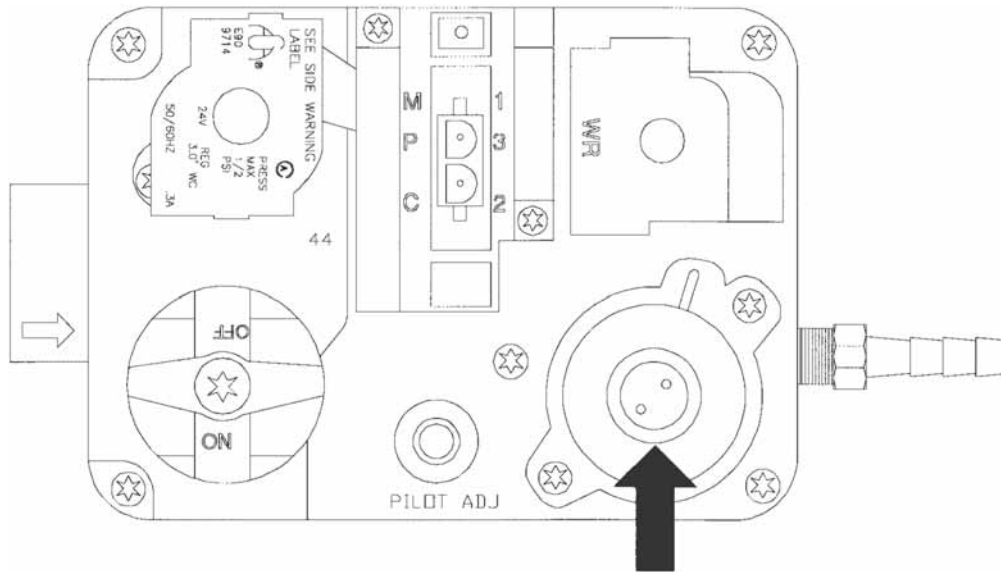
4. RE-CONNECT THE CLEAR VINYL HOSE TO THE GAS VALVE AND TO THE TRAP ADAPTER.



5. RE-CONNECT THE SUPPLY GAS PIPING TO THE VALVE.
6. TURN ON THE GAS TO THE SUPER-E.
7. TURN THE BLUE KNOB ON THE GAS VALVE TO THE "ON" POSITION.



8. REMOVE THE SMALL ROUND BRASS PLUG FROM THE GAS VALVE BY TURNING IT COUNTER-CLOCKWISE WITH A PAIR OF SNAP RING OR NEEDLE NOSE PLIERS.



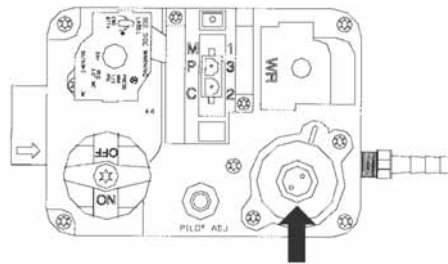
9. TURN THE LINE VOLTAGE BACK ON, TO THE SUPER-E.

GAS VALVE ADJUSTMENT

- I. LET THE UNIT START TO CYCLE AND LISTED CAREFULLY TO THE IGNITION. IF THE IGNITION WAS QUIET, THE VALVE WILL NEED NO ADJUSTMENT. IF IT WAS A LOUD IGNITION OR THERE WAS NOT IGNITION AT ALL, FOLLOW THESE STEPS:
 - A. IF THERE WAS NO IGNITION:
 1. MAKE SURE THE GAS VALVE IS IN THE "ON" POSITION; GAS IS ON TO THE UNIT; AND THE GAS VALVE WIRING HARNESS IS PLUGGED INTO THE GAS VALVE AND INTO THE CONTROL BOARD
 2. TURN THE ADJUSTMENT SCREW UNDER THE BRASS CAP YOU REMOVED IN STEP #8 ABOVE. TURN ONE FULL TURN CLOCKWISE WITH A SMALL FLATHEAD SCREWDRIVER. THIS WILL INCREASE THE GAS VOLUME IN THE COMBUSTION PROCESS.
 - A. IF THE UNIT STILL DOES NOT LIGHT OFF, TURN THE ADJUSTMENT SCREW TWO FULL TURNS COUNTERCLOCKWISE

B. IF IGNITION WAS POOR:

1. LOOK AT THE COLOR OF THE FLAME WHILE THE UNIT IS RUNNING, THROUGH THE SIGHT GLASS. IF IT IS GREEN OR RED IN COLOR, OR THE HEATER WHISTLES ON IGNITION, TURN THE ADJUSTMENT SCREW COUNTERCLOCKWISE AT ½ TURN INTERVALS, UNTIL THE FLAME TURNS BLUE/LIGHT BLUE IN COLOR, OR THE WHISTLING AT IGNITION STOPS. IF THE FLAME IS VERY WEAK OR PULSING, TURN THE ADJUSTMENT SCREW CLOCKWISE UNTIL THE FLAME STEADIES.

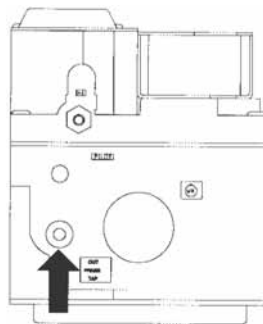


GAS VALVE
ADJUSTMENT
SCREW

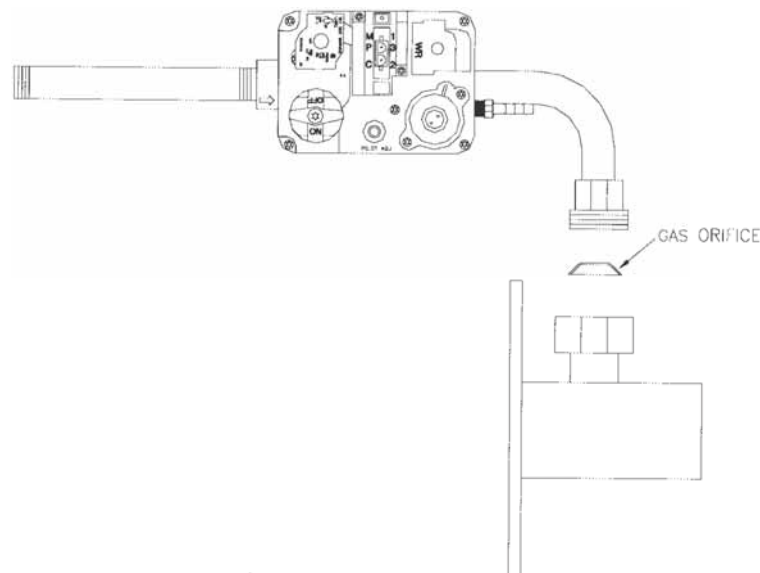
2. PUT THE GAS VALVE ADJUSTMENT SCREW COVER BACK IN PLACE AND TIGHTEN.
3. PUT THE VOYAGER CABINET DOOR BACK INTO PLACE.

PROCEDURE #2

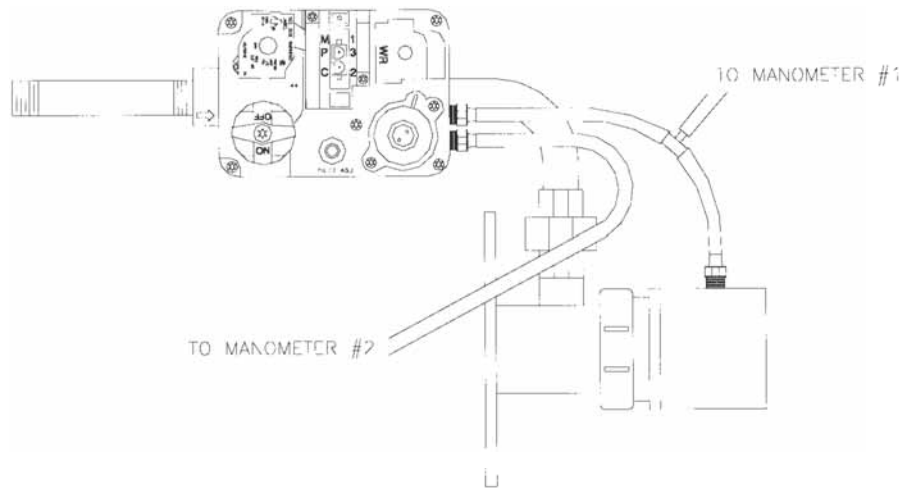
1. REMOVE THE OUTLET PRESSURE TAP PLUG FROM THE RIGHT SIDE OF THE GAS VALVE WITH A 3/16" ALLEN WRENCH.



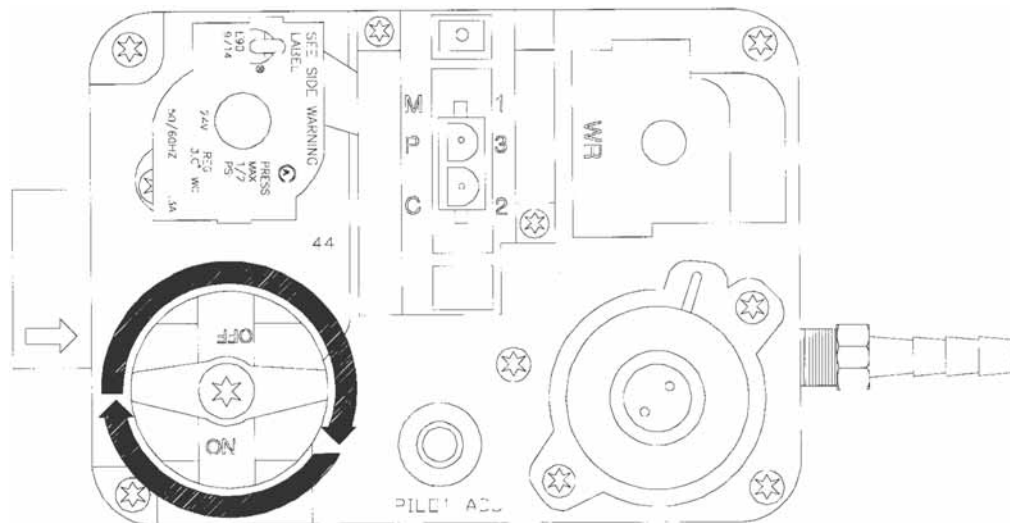
2. PUT A 1/8" NPT HOSE BARB IN PLACE OF THE OUTLET PRESSURE TAP PLUG. NO SEALANT IS REQUIRED ON THIS FITTING.
3. RE-CONNECT THE GAS VALVE WIRING TO THE GAS VALVE.
4. SLIDE THE GAS VALVE BACK INTO POSITION BY PUTTING THE GAS VALVE INLET PIPE THROUGH THE GAS VALVE INLET HOLE IN THE LEFT-TOP OF THE VOYAGER CABINET.
5. PLACE THE GAS ORIFICE BACK ON THE BOTTOM HALF OF THE UNION AND TIGHTEN THE UNION.



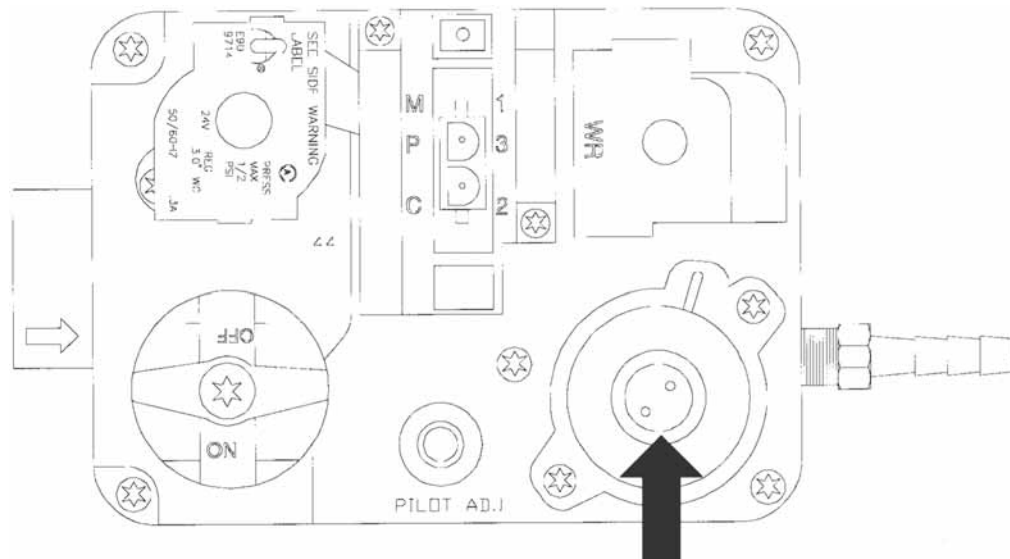
6. CONNECT THE VACUUM HOSE ACCORDING TO THE FOLLOWING DIAGRAM:



7. RE-CONNECT THE SUPPLY GAS PIPING TO THE VALVE.
8. TURN ON THE GAS TO THE SUPER-E.
9. TURN THE BLUE KNOB ON THE GAS VALVE TO "ON".



10. REMOVE THE SMALL ROUND BRASS PLUG FROM THE GAS VALVE BY TURNING IT COUNTER-CLOCKWISE WITH A SMALL PUNCH AND HAMMER.



11. TURN THE LINE VOLTAGE BACK ON TO THE SUPER-E.

12. LET THE SUPER-E CYCLE. AFTER THE SUPER-E STARTS, LET IT RUN FOR 30 SECONDS, THEN ADJUST THE GAS VALVE BY USING THE GAS VALVE ADJUSTMENT SCREW, SO THAT MANOMETER #2 READS EXACTLY THE SAME AS MANOMETER #1.

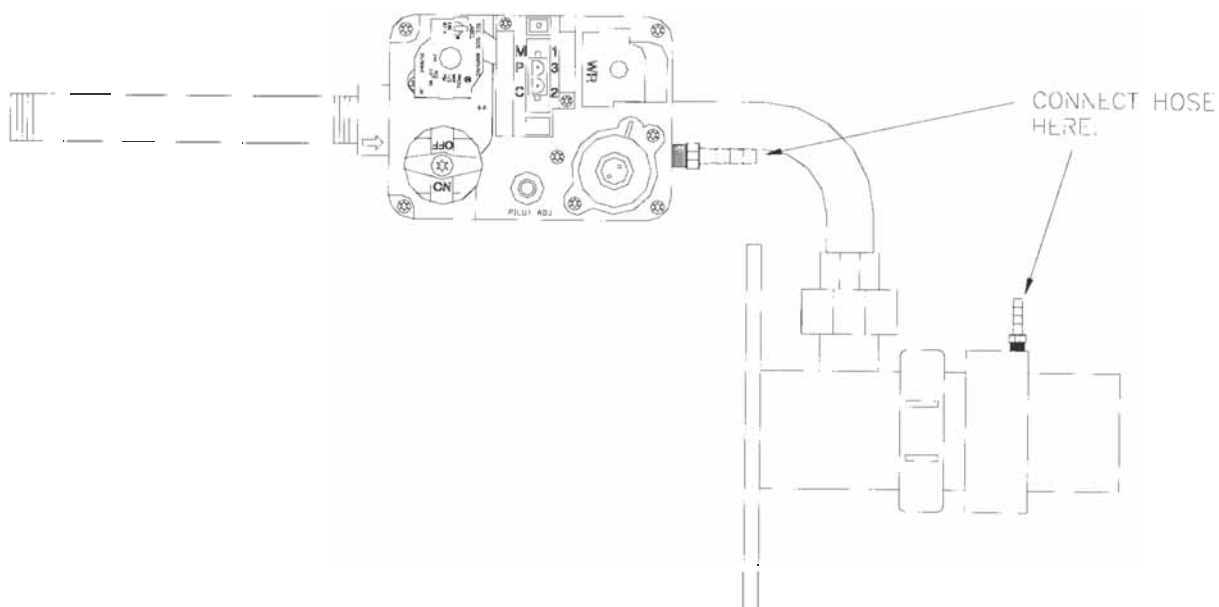
EXAMPLE: IF MANOMETER #1 READS $-.35"$ AND MANOMETER #2 READS $.1"$; YOU WOULD ADJUST THE GAS VALVE BY USING THE GAS VALVE ADJUSTMENT SCREW, SO THAT THE MANOMETER #2 ALSO READS $-.35"$.



13. IF THERE WAS NO IGNITION:
- A. MAKE SURE THE GAS VALVE IN THE "ON" POSITION, GAS IS ON TO THE UNIT, AND THE GAS VALVE WIRING HARNESS IS PLUGGED INTO THE GAS VALVE AND INTO THE CONTROL BOARD.
 - B. TURN THE ADJUSTMENT SCREW UNDER THE BRASS CAP YOU REMOVED IN STEP #8. TURN ONE FULL TURN CLOCKWISE WITH SMALL FLATHEAD SCREWDRIVER. IF THE UNIT STILL DOES NOT LIGHT OFF, TURN THE ADJUSTMENT SCREW TWO FULL TURNS COUNTER-CLOCKWISE.
14. SHUT THE VOYAGER DOWN, THEN START IT UP AGAIN; LET IT RE-LIGHT. IF THE IGNITION WAS GOOD, THE VALVE NEEDS NO FURTHER ADJUSTMENT. IF THE IGNITION WAS POOR, SHUT DOWN THE UNIT AND LET IT CYCLE AGAIN. TURN THE GAS VALVE ADJUSTMENT SCREW SO THAT MANOMETER #2 READS $.10"$ MORE THAT MANOMETER # 1. EXAMPLE: MANOMETER #1 READS $-.35"$; ADJUST MANOMETER #2 SO THAT IT READS $-.25"$. IF THIS DOES NOT STOP THE POOR IGNITION, ADJUST THE GAS VALVE ADJUSTMENT SCREW ANOTHER $.10"$.

EXAMPLE: IF MANOMETER #1 READS $-.35"$, MANOMETER #2 SHOULD BE ADJUSTED TO NOW READ $-.15"$.

15. PUT THE GAS VALVE ADJUSTMENT SCREW COVER BACK IN PLACE AND TIGHTEN.
16. REMOVE ALL THE CLEAR VINYL HOSES FROM THE GAS VALVE.
17. REMOVE THE BARB IN THE OUTLET PRESSURE TAP, REPLACE IT WITH THE ORIGINAL PLUG, AND TIGHTEN.
18. RE-CONNECT THE CLEAR VINYL HOSE TO THE GAS VALVE, AND TO THE TRAP ADAPTER.



20. PUT THE SUPER-E CABINET DOOR BACK IN PLACE.

IMPORTANT INSTRUCTIONS FOR SSVH MODELS

HOW THE SYSTEM WORKS WITH RADIANT HEAT

BOTH THE SUPER-E SSV AND SSVH MODELS ARE VERY EFFICIENT AND POWERFUL WATER HEATING DEVICES. THE SUPER-E SSV AND SSVH MODELS PRODUCE LARGER AMOUNTS OF HOT WATER IN A VERY SMALL COMPACT DESIGN, WHEN COMPARED WITH CONVENTIONAL WATER HEATERS. HEAT TRANSFER PRODUCTS HAS DESIGNED THE SUPER-E SSVH MODEL EXCLUSIVELY AS A COMBINED HOT WATER/RADIANT SPACE WATER HEATER. THE UNITS ARE BUILT WITH A SECONDARY HEAT EXCHANGER TO TRANSFER HEAT FROM THE STORED WATER INTO THE CIRCULATOR LOOP FOR THE FLOOR, CEILING, OR BASEBOARD RADIANT SYSTEM. THIS SECONDARY HEAT EXCHANGER ALLOWS THE SUPER-E SSVH MODEL TO HEAT BOTH THE DOMESTIC WATER AND PROVIDE OUTPUT BY THE INSTALLATION OF A RE-CIRCULATION LINE CONNECTED FROM DOMESTIC HOT WATER OUTLET TO DOMESTIC COLD WATER INLET. THE SUPER-E SSVH-130 MODEL CAN TRANSFER UP TO 110,000 BTU'S IN THE SECONDARY HEAT EXCHANGER AND ALSO DELIVER 180 GALLONS OF HOT WATER IN THE FIRST HOUR OF OPERATION. EVEN SUPER-E SSV MODELS MAKE GREAT RADIANT HEATERS, WHEN DOMESTIC HOT WATER IS NOT NEEDED IN THE INSTALLATION. ANOTHER IMPORTANT FEATURE IS THAT BOTH SSV AND SSVH MODELS HAVE THE ABILITY TO DIRECT VENT WITH A ZERO CLEARANCE TOLERANCE TO ANY COMBUSTIBLE SURFACE, WHICH ENABLES THE SUPER-E TO BE INSTALLED VIRTUALLY ANYWHERE! THIS TYPE OF POWER, EFFICIENCY, AND INSTALLATION FLEXIBILITY IN SSV AND SSVH MODEL APPLIANCES IS A SUPER-E EXCLUSIVE THAT NO OTHER WATER HEATER MANUFACTURER CAN OFFER!

HOW THE SYSTEM WORKS WITH HEATING/COOLING

BOTH SSV AND SSVH MODELS CAN WORK IN CONNECTION WITH AIR HANDLING EQUIPMENT TO PROVIDE AIR OR RADIANT HEATING, COOLING, AND DOMESTIC HOT WATER. THESE TYPES OF SYSTEMS PROVIDE THE ADVANTAGE OF ZONED HEATING AND COOLING; WHICH PROVIDE MUCH GREATER COMFORT AND OPERATING EFFICIENCY VERSUS CONVENTIONAL SYSTEMS.

HOW TO INSTALL THE SYSTEM

IN THIS MANUAL YOU WILL FIND SAMPLE DRAWINGS WHICH CAN PROVIDE YOU WITH IDEAS ON HOW TO LAY OUT THE SYSTEM. THE USE OF A MIXING VALVE IS ALWAYS RECOMMENDED TO ACHIEVE FLEXIBILITY IN ADJUSTING TEMPERATURE TO MEET THE SYSTEM DEMAND. IT IS ESSENTIAL TO READ THIS INSTALLATION MANUAL TO ASSURE PROPER OPERATION OF THE VOYAGER SYSTEM. AREAS IN THIS MANUAL THAT NEED SPECIAL ATTENTION ARE "CONDENSATE REMOVAL"; "VENTING OF COMBUSTION GASES"; AND "CONNECTION OF A BRONZE CIRCULATOR BETWEEN DOMESTIC HOT WATER OUTLET, DOMESTIC COLD WATER INLET".

NOTE:

IT IS VERY IMPORTANT TO FOLLOW EITHER LOCAL OR FEDERAL PLUMBING CODES WHEN INSTALLING AND OPERATING A MIXING VALVE FOR A DOMESTIC HOT WATER SYSTEM!

HOW TO SIZE THE COMBINATION SYSTEM FOR RADIANT HEATING

IT IS IMPORTANT TO SIZE BOTH HEATING LOAD AND DOMESTIC HOT WATER LOAD, IN CHOOSING WHICH SUPER-E SSVH MODEL YOU WILL NEED TO PURCHASE FOR THE JOB. ON THE FOLLOWING PAGE IS A CHART WHICH REPRESENTS DESIGN OUTPUTS OF THE SECONDARY HEAT EXCHANGER IN THE SUPER-E SSVH MODEL. THIS CHART OUTLINES OUTPUT CHARACTERISTICS IN TERMS OF FLOW RATE THROUGH THE SECONDARY HEAT EXCHANGER, TEMPERATURE RISE, AND BTU OUTPUT. IT IS IMPORTANT TO CHECK WITH YOUR RADIANT SUPPLIER ON THE OUTPUT TEMPERATURE, DESIGN TEMPERATURE RISE OR DELTA TEE, AND THE TOTAL BTU OUTPUT REQUIRED FOR THE JOB. A BRONZE CIRCULATOR BETWEEN DOMESTIC HOT WATER OUTLET AND DOMESTIC COLD WATER INLET IS REQUIRED. ONCE YOU HAVE DETERMINED YOUR SYSTEM OUTPUT REQUIREMENTS, REFER TO "SUPER-E SSVH MODEL SIZING CHART" ON NEXT PAGE TO DETERMINE MODEL AND FLOW RATE REQUIRED THROUGH THE SECONDARY HEAT EXCHANGER; IN ORDER TO MEET THE LOADS OF THE SYSTEM. EXAMPLES ARE PROVIDED TO GUIDE THROUGH THE SELECTION PROCESS. ONCE WE KNOW THAT THE SECONDARY HEAT EXCHANGER HAS BEEN SIZED CORRECTLY TO MEET THE RADIANT HEAT LOAD, WE MUST NOW LOOK INTO THE HOT WATER LOAD. FIRST YOU NEED TO UNDERSTAND THE DIFFERENCE BETWEEN **FIRST DRAW** CAPACITY AND **FIRST HOUR** CAPACITY. FIRST DRAW CAPACITY IS ESTABLISHED AS THE TIME FRAME AT DIFFERENT OUTPUT RATES WHICH THE SUPER-E SSVH MODEL CAN DELIVER THE DESIRED TEMPERATURE BEFORE THE TANK RATE INPUT AND STORAGE ARE CONSUMED. THIS USUALLY OCCURS WHEN THERE IS A LARGER DRAW OF HOT WATER IN A VERY SHORT TIME FRAME. (**EXAMPLE:** HOT TUB 80 GALLON WITH A FILL RATE OF 10 MINUTES) FIRST HOUR RATING IS ESTABLISHED AS A RATING SYSTEM TO COMPARE THE WATER HEATER'S ABILITY TO RECOVER OVER A ONE HOUR PERIOD. THE FIRST HOUR RATING CAN BE VERY MISLEADING WHEN THE HOT WATER LOAD IS REQUIRED IN A VERY SHORT PERIOD OF TIME. NOW WE CAN DETERMINE WHICH SUPER-E SSVH MODEL WILL SUIT YOUR NEEDS FOR THE JOB. TO DO THIS, REFER TO THE DOMESTIC HOT WATER CHART. IF THE DOMESTIC HOT WATER DEMANDS EXCEED THE SUPER-E SSVH'S CAPACITY, THEN A STORAGE RE-CIRCULATION TANK CAN BE INSTALLED TO MEET THE SYSTEM HOT WATER LOAD. AFTER YOU HAVE SIZED YOUR DOMESTIC LOAD AND HEATING LOAD, YOU ARE NOW READY TO CHOOSE THE SUPER-E SSVH MODEL SUITABLE FOR THE JOB!

NOTE:

A BRONZE CIRCULATOR BETWEEN THE DOMESTIC HOT WATER OUTLET AND DOMESTIC COLD WATER INLET IS REQUIRED TO ACHIEVE RATINGS BELOW:

VOYAGER SSVH MODEL SIZING CHART

Flow GPM	TEMPERATURE RISE (DEGREES F.)			
	15	20	25	30
2	15,000	20,000	25,000	30,000
3	22,500	30,000	37,500	45,000
4	30,000	40,000	50,000	60,000
5	37,500	50,000	62,500	75,000
6	45,000	60,000	75,000	90,000*
7	52,500	70,000	87,500*	105,000*
8	60,000	80,000	100,000*	N/R
9	71,400**	95,200**	119,000**	124,500**
10	85,000**	113,250**	140,000**	140,000**

* FOR SSVH-130 MODELS ONLY!

**FOR SSVH-199-80 MODELS ONLY!

NOTE:

THE SUPER-E MUST BE SET 25 DEGREES F. ABOVE THE SYSTEM TEMPERATURE. THE ABOVE CHART IS BASED ON USING THE CIRCULATOR BETWEEN THE DOMESTIC COLD WATER INLET AND THE DOMESTIC HOT WATER OUTLET. FOR SET POINT TEMPERATURES ABOVE 120 DEGREES F., YOU MUST USE AN ANTI-SCALD TEMPERING VALVE ON THE OUTLET TO DOMESTIC HOT WATER FIXTURES.

VOYAGER FIRST DRAW CAPACITY (In minutes) AT 140 DEGREES F.

Model	2 GPM	3 GPM	4 GPM	5 GPM	6 GPM	7 GPM	8 GPM
SSVH90-45	20	15	9	7	5	4	3
SSVH130-45	20	16	12	10	9	7	6
SSVH199-80	00	00	15	14	13	12	10

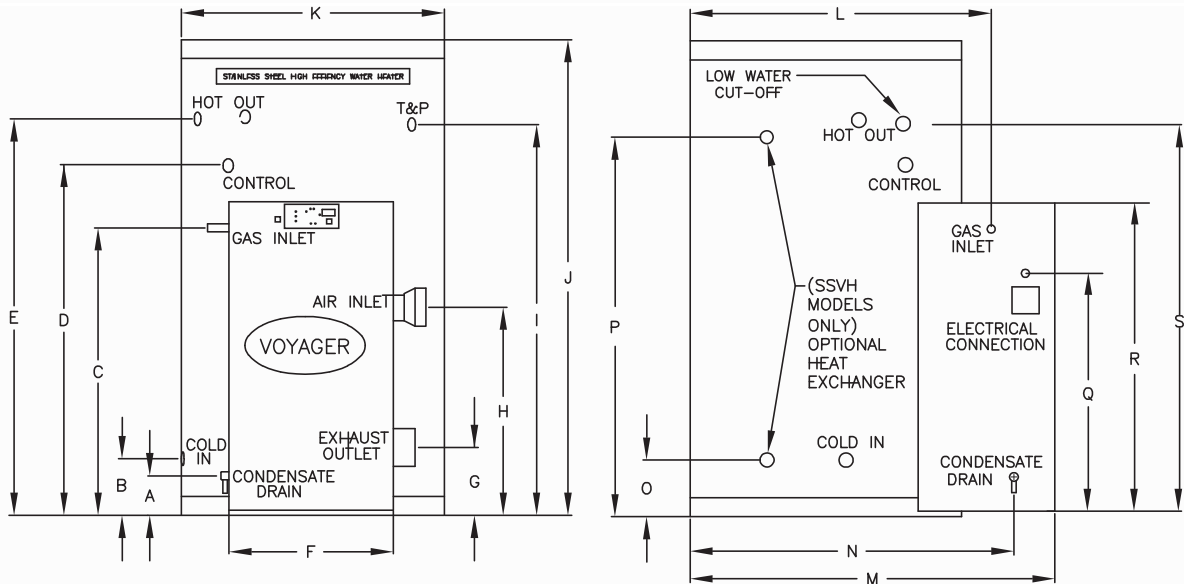
VOYAGER FIRST DRAW CAPACITY (In minutes) AT 115 DEGREES F.

Model	2 GPM	3 GPM	4 GPM	5 GPM	6 GPM	7 GPM	8 GPM
SSVH90-45	30	23	14	10	8	6	5
SSVH130-45	31	24	18	16	14	11	10
SSVH199-80	00	00	23	21	20	18	15

MODEL	HEIGHT	WIDTH	DEPTH	INPUT	FIRST HR. RATING
SSVH90-45	42"	24"	32"	90,000	125 U.S. gallons
SSVH130-45	42"	24"	32"	130,000	180 U.S. gallons
SSVH199-80	72"	24"	32"	199,000	300 U.S. gallons

MODEL	HEAT EXCH.	HEAT EXCH. BTU	RECOVERY	VENT	WEIGHT
SSVH90-45	32 Sq. Ft.	81,000	95%	3"	205 Lbs.
SSVH130-45	32 Sq. Ft.	110,000	94%	3"	205 Lbs.
SSVH199-80	32 Sq. Ft.	140,000	94%	3"	255 Lbs.

VOYAGER DIMENSIONS *			
	45 GAL.	80 GAL.	119 GAL.
A	3 3/4"	5 1/2"	7 1/2"
B	5 1/4"	5 1/2"	7 1/2"
C	25 1/2"	27 1/2"	29 1/4"
D	34 1/2"	46"	48"
E	35"	64 1/4"	66 1/4"
F	15"	15"	15"
G	5"	8 1/2"	10"
H	17 1/2"	20 1/2"	22 "
I	33 3/4"	64"	66"
J	42 1/2"	72"	74"
K	23 1/4"	23 1/4"	27 1/4"
L	25 3/4"	25 3/4"	29 3/4"
M	31 1/4"	31 1/4"	35 1/4"
N	27 1/4"	27 1/4"	31 1/4"
O	5 1/4"	5 1/2"	N/A
P	33 3/4"	60 3/4"	N/A
Q	21 3/8"	23 3/8"	25 1/4"
R	28 3/8"	30 3/8"	32 1/4"
S	N/A	64 1/2"	66"



* NOTE: THESE OVERALL DIMENSIONS ARE APPROXIMATE WITHIN ± 1". HEAT TRANSFER PRODUCTS RESERVES THE RIGHT TO CHANGE OR DISCONTINUE MODELS WITHOUT NOTICE.

Note: These overall dimensions are approximate within +/- 1". Heat Transfer Products reserves the right to change or discontinue models without notice.

VERY IMPORTANT!!!

THIS SUPER-E HAS THE NEW 1200 BOARD AND BLOWER SYSTEM! THE ADDITIONAL FEATURES ARE LISTED BELOW:

1. THE BOARD WILL DETECT PROPER POLARITY BY ILLUMINATING THE GREEN LED LIGHT LOCATED ON THE LOWER RIGHT CORNER OF THE BOARD. NO LIGHT MEANS IMPROPER POLARITY!
2. THE BLOWER CABLE AND THE CURRENT LIMITER HAVE BEEN ELIMINATED.
3. THE LED DISPLAY IS FIVE TIMES BRIGHTER; GIVING GREATER VISIBILITY IN BRIGHT LIGHT.
4. THE BLACK PUSH BUTTON IN THE FRONT OF THE CABINET ALLOWS THE USER TO READ IGNITOR DRAW IN AMPS (2.5 - 3.5), AND FLAME QUALITY IN MICRO AMPS (4.5 - 5.1). TO READ IGNITOR DRAW, WAIT FOR THE LED LIGHT FOR THE IGNITOR TO COME ON, THEN SIMPLY PUSH THE BLACK BUTTON IN ON THE FRONT OF THE CABINET. TO READ FLAME QUALITY, WAIT FOR THE GAS VALVE TO BE ACTIVATED AND THE IGNITOR LIGHT TO GO OFF, THEN SIMPLY PUSH IN THE BLACK BUTTON ONCE. THIS WILL TAKE PLACE IN THE NORMAL OPERATING SEQUENCE IN A HEAT CYCLE.
5. THE 1200 BOARD AND BLOWER SYSTEM PARTS ARE NOT INTERCHANGEABLE WITH THE VOYAGER PARTS (1000 SYSTEM) PREVIOUS TO THE 1200 SYSTEM. PARTS FOR THE OLD 1000 VOYAGER SYSTEM ARE STILL AVAILABLE THROUGH OUR STANDARD DISTRIBUTION.

MOST COMMON SUPER-E INSTALLATION CONCERNS

VENTING:

VENT LENGTH TOO LONG - OVER 85'
VENTING NOT PITCHED PROPERLY - CONDENSATE BUILD UP IN VENT
EXHAUST GAS RE-CIRCULATION - VENT TERMINALS NOT USED, WRONG FITTINGS USED, SIGHT PROBLEMS
BUSH IN FRONT OF VENT TERMINAL
INSIDE CORNER OF BUILDING FOR VENT LOCATION
OVERHANG WITH VENT UNDERNEATH
COMPOUND ROOF PITCH, OR ABOVE ROOF FIRE WALL
ADDITIONAL FITTINGS INSTALLED INTO TERMINALS
VENT SIZED FROM 3" TO 4" BY USING BUSHINGS - INSTEAD OF REDUCING COUPLING OR REDUCING ELBOW
VENT CHANGED FROM 3" TO 4" - WITHOUT GOING REQUIRED 10' ON BOTH INTAKE AND EXHAUST
VENTING NOT CLEANED AND GLUED TOGETHER FOR PRESSURE TIGHT JOINTS
INTAKE AIR CONTAINING EXHAUST FROM ANOTHER VENT OR APPLIANCE

GAS SUPPLY:

GAS PRESSURE TOO LOW - NEED 7" GAS PRESSURE UP TO 14" GAS PRESSURE
GAS METER TOO LOW IN CAPACITY
GAS REGULATOR NOT SIZED PROPERLY - TOO LOW IN CAPACITY
GAS PIPE TOO SMALL - ¾" MINIMUM GAS SUPPLY SIZE
GAS REGULATOR TOO CLOSE TO APPLIANCE - NEED 10' OF PIPE FOR EVERY 200,000 BTU'S PER HOUR
GAS REGULATOR WITH LONG VENT OR BLEED VENT ORIFICE - REGULATOR SLOW TO RESPOND
GAS METER RESTRICTION, OR IN NEED OF REPAIR/REPLACEMENT
GAS SUPPLY PRESSURE DROPS BELOW 3½" WHEN APPLIANCE FIRES

ELECTRICAL:

APPLIANCE NOT GROUNDED
ELECTRICAL POLARITY REVERSED - FLAME WILL LIGHT BUT GO BACK OUT IN 4-6 SECONDS VOLTAGE TOO LOW OR TOO HIGH
APPLIANCE CYCLES, BUT NO IGNITION - LOOK FOR GLOW FROM IGNITOR, IF NOT, REPLACE IGNITOR

PLUMBING:

SSVH MODELS WITHOUT RE CIRCULATING PUMP INSTALLED & WITHOUT WIRING IN PARALLEL WITH HEATING CIRCULATOR
DIELECTRIC UNIONS INSTALLED - RUSTY WATER

CONDENSATE:

CONDENSATE LINE NOT PITCHED TO DRAIN
CONDENSATE LINE NOT DRAINING DUE TO LONG RUN WITHOUT VENT
CONDENSATE PUMP NOT WORKING
CONDENSATE TRAP PLUGGED WITH PVC SHAVINGS

BURNER:

EXTREMELY LOUD BANG ON IGNITION - BURNER FAILED OR END CAP OFF
RED BURNER DECK AS SEEN THROUGH VIEW PORT - GAS VALVE NEEDS ADJUSTMENT, PAGE 32

GAS VALVE:

PUFFING ON IGNITION - ADJUST GAS VALVE, SEE PAGE 32
LOUD POP ON IGNITION, THEN RUNNING SMOOTH - ADJUST GAS VALVE, SEE PAGE 32
HUFF AND PUFF DURING OPERATION - ADJUST GAS VALVE, SEE PAGE 32
RUNNING GREAT BUT INTERMITTENTLY HUFFING OR POPPING - CHECK FOR RE-CIRCULATION UNDER VENTING

